



- **Temperature limiting**
- **Wide voltage range**
- **Dynamic heating up**
- **Energy saving**
- **Compact**

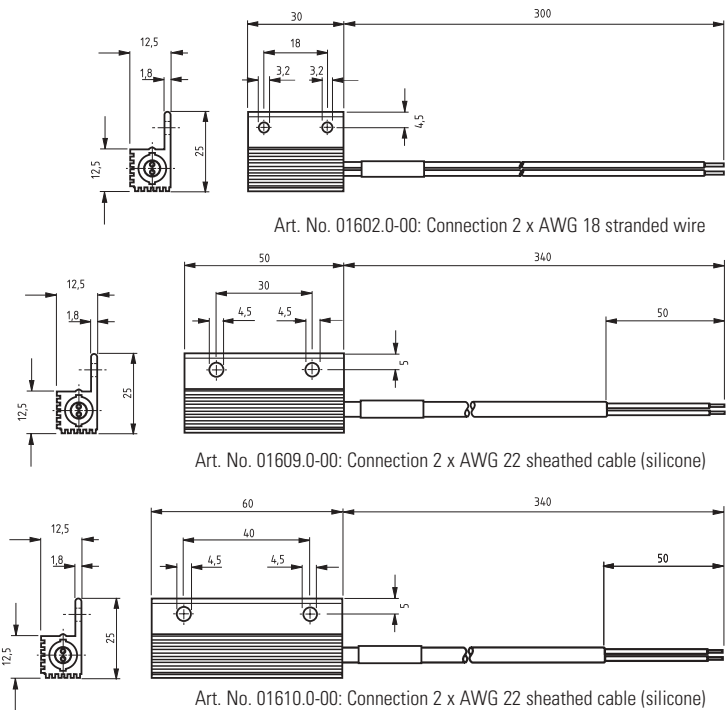
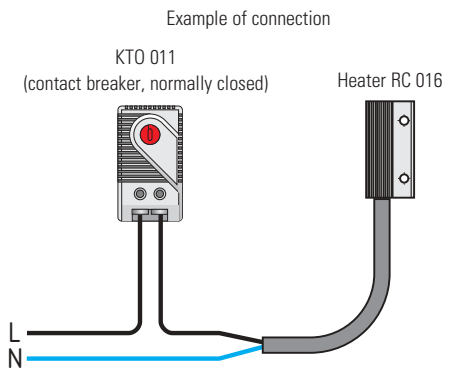
These small heaters are designed to prevent condensation and to ensure a minimum operating temperature in small enclosures.



**Technical Data**

<b>Operating voltage</b>	120-250V AC/DC*
<b>Heating element</b>	PTC resistor, self regulating and temperature limiting
<b>Heater body</b>	aluminium, anodised
<b>Mounting</b>	screw fixing
<b>Fitting position</b>	variable
<b>Operating/Storage temperature</b>	-45 to +70°C (-49 to +158°F)
<b>Protection type / Protection class</b>	IP32 / II (double insulated)
<b>Approvals</b>	VDE, UL File No. E150057
<b>Note</b>	other voltages on request

\*Operating with voltages below 140V AC/DC reduces heating performance by approx. 10%.



Art. No.	Heating capacity*	Inrush current max.	Surface temperature (approx.)	Connection	Weight (approx.)
01602.0-00	8W	2.0A	150°C	2 x AWG 18 stranded wire	20g
01609.0-00	10W	2.5A	155°C	2 x AWG 22 sheathed cable (silicone)	30g
01610.0-00	13W	3.0A	170°C	2 x AWG 22 sheathed cable (silicone)	40g

\*at 20°C (68°F) ambient temperature

Specifications are subject to change without notice. Errors and omissions excepted. Suitability of this product for its intended use and any associated risks must be determined by the end customer/buyer in its final application. 24.04.2006