

# Small, compact Thermostat KTO 011 / KTS 011



- **Large setting range**
- **Small size**
- **Simple to mount**
- **High switching performance**

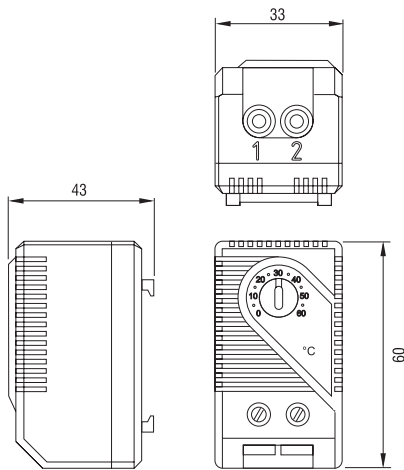
**KTO 011:** Thermostat (normally closed); contact breaker for regulating heaters.

**KTS 011:** Thermostat (normally open); contact maker for regulating of filter fans and heat exchangers or for switching signal devised when temperature limit has been exceeded.



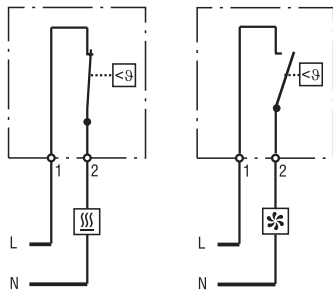
### Technical Data

<b>Switch temperature difference</b>	7K (± 4K tolerance)
<b>Sensor element</b>	thermostatic bimetal
<b>Contact type</b>	snap-action contact
<b>Contact resistance</b>	< 10mΩ
<b>Service life</b>	> 100,000 cycles
<b>Max. Switching capacity</b>	250VAC, 10 (2) A 120VAC, 15 (2) A DC 30W
<b>EMC</b>	acc. to EN 55014-1-2, EN 61000-3-2, EN 61000-3-3
<b>Connection</b>	2-pole terminal, clamping torque 0.5Nm max.: rigid wire 2.5mm <sup>2</sup> stranded wire (with wire end ferrule) 1.5mm <sup>2</sup>
<b>Mounting</b>	clip for 35mm DIN rail, EN60715 (or for exit filter EF 118 Series)
<b>Casing</b>	plastic according to UL94 V-0, light grey
<b>Dimensions</b>	60 x 33 x 43mm
<b>Weight</b>	approx. 40g
<b>Fitting position</b>	variable
<b>Operating / Storage temperature</b>	-45 to +80°C (-49 to +176°F)
<b>Protection type</b>	IP20

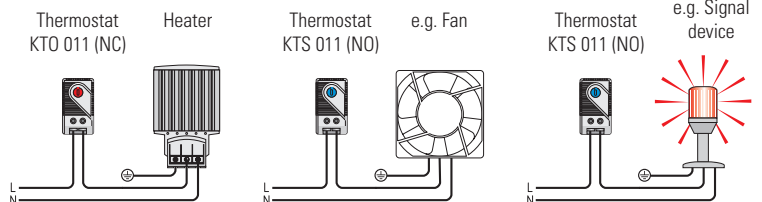
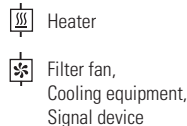


Thermostat KTO 011 (NC)

Thermostat KTS 011 (NO)



Connection diagrams



Example of connection

Setting range	Art. No. Contact Breaker (NC)	Art. No. Contact Maker (NO)	Approvals
0 to +60°C	01140.0-00	01141.0-00	VDE
-10 to +50°C	01142.0-00	01143.0-00	VDE
+20 to +80°C	01159.0-00	01158.0-00	VDE
+32 to +140°F	01140.9-00	01141.9-00	UL File No. E164102
+14 to +122°F	01142.9-00	01143.9-00	UL File No. E164102
0 to +60°C	01146.9-00	01147.9-00	UL File No. E164102