

Outdoor Filter Fan FF 018 Series



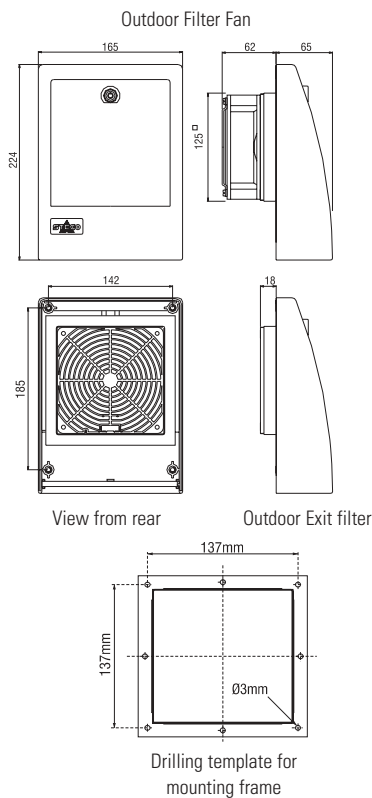
- Filter changeable from outside**
- Safe, lockable**
- Impact resistant**
- Weather proof**

The outdoor filter fan can be used in outdoor enclosures where warm air has to be dissipated on account of increased thermic development. To clean and exchange the filter mat, it is only necessary to open the lockable door of the outdoor hood. A protection type of IP55 is achieved due to the special design of the hood and the use of fine filter mats. The plastic casing is impact resistant, highly weather proof and resistant to UV light.



Technical Data

Axial fan, ball bearing	service life min. 50,000h at 25°C/77°F (65% RH) fan body aluminium, rotor plastic
Connection	2 wires with pressure clamps 2.5mm ² , length 100mm
Filter fan and exit filter casing	casing material high impact plastic ASA, light grey burning behaviour according to UL94 H-B; high resistance to weather and UV
Mounting frame	with double industrial adhesive band for fixing to the outside of enclosure; certain operating circumstances can make the additional use of screws necessary (see drilling template); included in the delivery of the filter fans is a template for the enclosure cut-out.
Filter mat	F5 acc. to DIN EN 779, filtering degree 98%
Filter material	synthetic fibre with progressive construction, temperature resistant to 100°C, self-extinguishing class F1; moisture resistant to 100% RH
Operating/Storage temperature	-45 to +70°C (-49 to +158°F)
Protection type	IP55
Protection class	I (earthed)
Approvals	UL File No. E234324



The hood is fixed permanently to the enclosure from the inside using screws. Filter mats can be easily changed from outside the enclosure through the lockable door in the hood.

Outdoor Filter Fan FF 018 Series

Art. No.	Operating voltage	Air volume, free flow	Current consumption	Power consumption	Average noise level (DIN EN ISO 4871)	Depth in enclosure	Enclosure cut-out	Weight (approx.)
01821.0-00	230VAC, 50Hz	20m ³ /h	100mA	15W	40dB (A)	62mm	125 x 125mm + 0.4	1.20kg
01821.0-02	120VAC, 60Hz	23m ³ /h	180mA	15W	40dB (A)	62mm	125 x 125mm + 0.4	1.20kg

Exit Filter EF 118 Series

Art. No.	Depth in enclosure	Enclosure cut-out	Weight (approx.)	Filter mat	Protection type
11821.0-00	16mm	125 x 125mm + 0.4	0.60kg	F5 acc. to DIN EN 779, filtering degree 98%	IP55

Filter Mats FFM 086

Filter mat	122 x 122mm
F5 (1 packing unit =3 pcs.)	Art. No. 08607.0-00