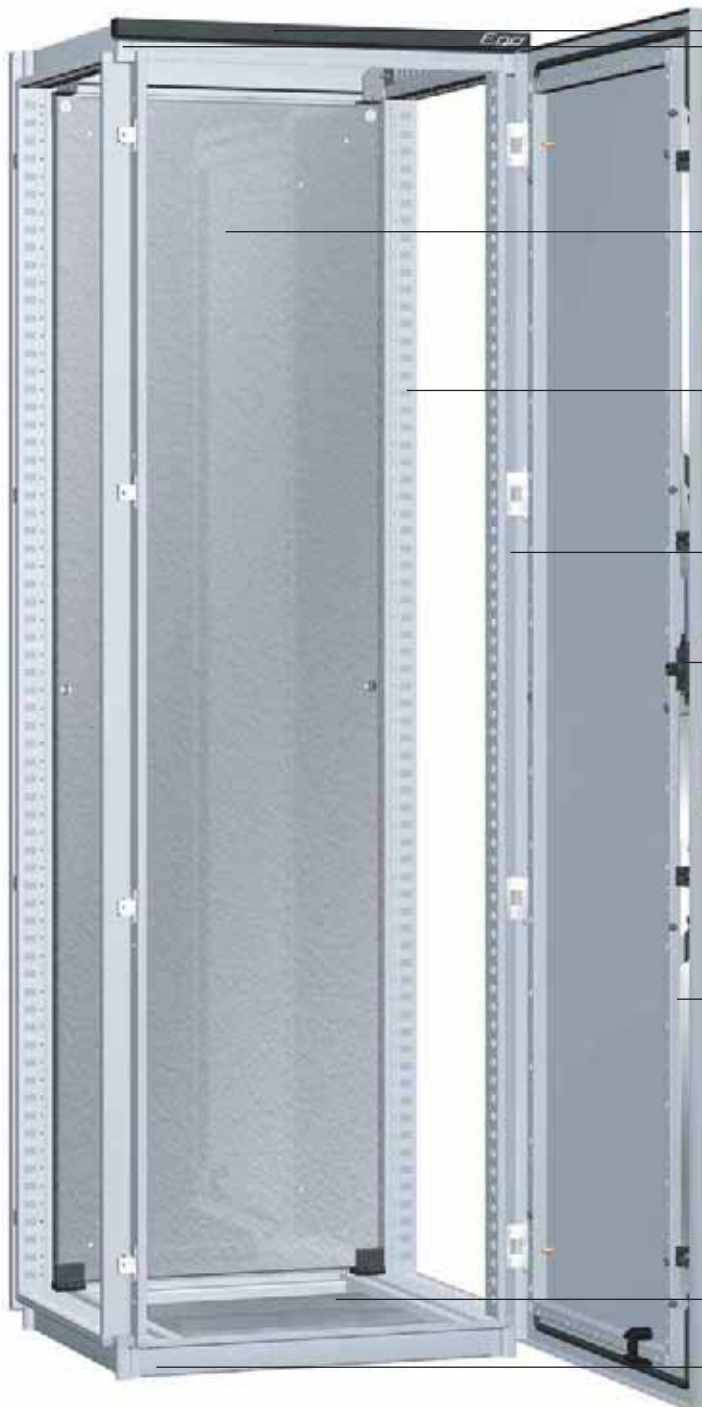


SUITE CABINET E.GO

E.go

corner joint manufactured in special alloy; only 8 screws are necessary to easily mount the structure

front inserted mounting plate adjustable in depth (possibility to use the lateral inserted mounting plate ATPL to provide additional mounting surface)

solid structural profiles (same uprights of Areta cabinets) to guarantee modularity and functionality to the cabinet

optional 180° hinges available WTCE-180001

4-point locking system with multiple door handles and inserts

door with reinforcing profile

newly designed bottom plate provides easy access for cabling. Double door cabinets have 2 base entries as standard

base prepared to accept plinth mounting H=100mm & 200mm

SUITE CABINET E.GO SINGLE DOOR

E.go



CHARACTERISTICS

Profile and rails are made up of a unique closed profile manufactured from 1.5mm sheet steel, clamped and with rounded edges. The frame corners are manufactured with orthogonal joints welded to vertical uprights and horizontal rails for the roof and bottom. Only 8 high resistance screws are necessary to mount the structure, while two position pins allow the easy mounting of the two parts of the joint.

FINISH

Epoxy polyester powder coating.

- structure, top and bottom: RAL 7035 smooth finish
- door and rear panel: RAL 7035 textured finish

DELIVERY

The flat-pack cabinet includes:

- structure manufactured from 1.5mm sheet steel (roof and bottom with 4 structural uprights complete with accessories and fasten couplers for door/rear panel)
- door manufactured from 2mm sheet steel, complete with sealing gasket, \varnothing 3mm double bar locking system, tubular stiffening frame (Alternatively:
 - glazed door manufactured from 2mm sheet steel, tubular stiffening frame, 4mm transparent plexiglas sheet complete with sealing gasket and \varnothing 3mm double bar locking system))
- rear panel manufactured from 1.5mm sheet steel

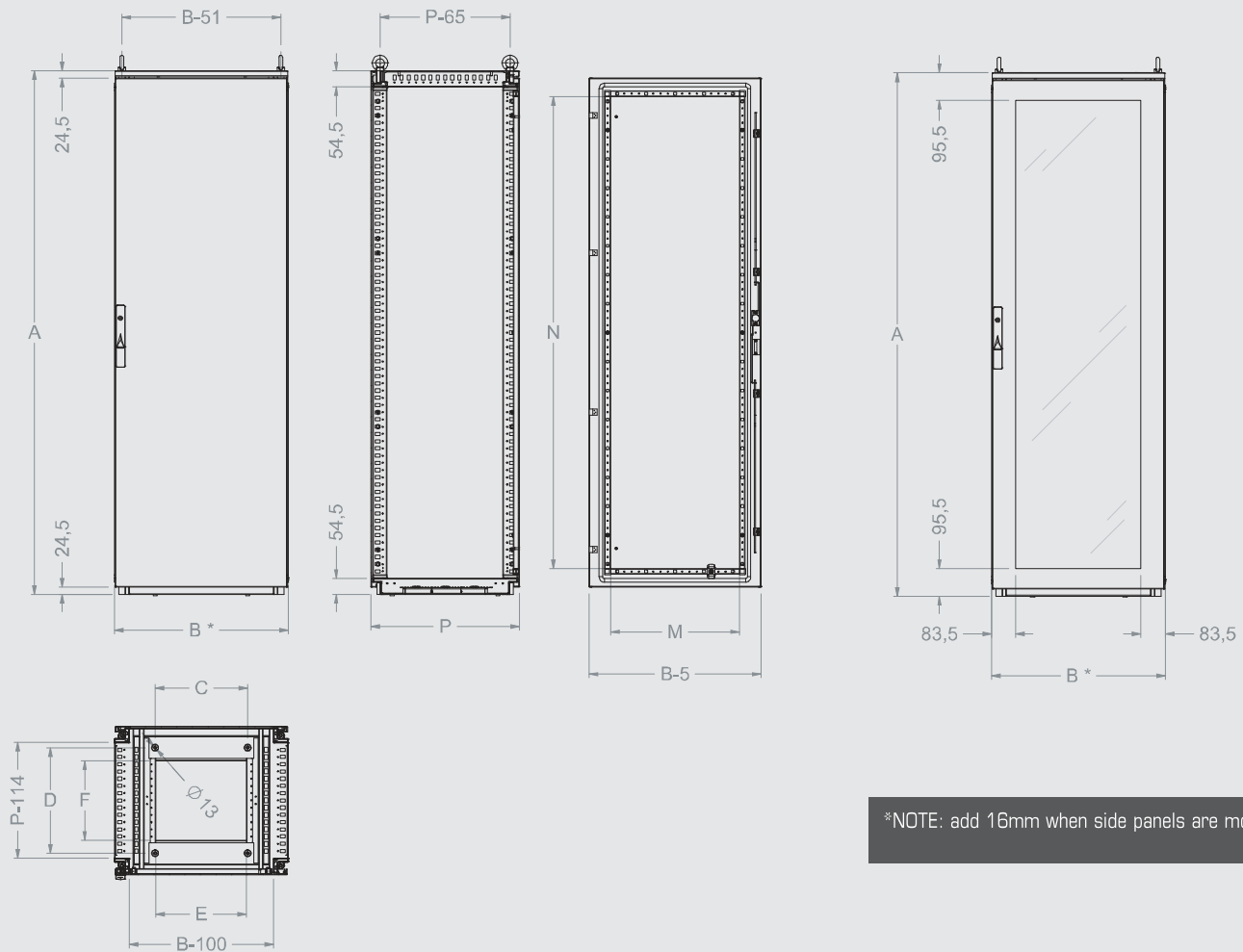
CONFORMITY AND APPROVAL



PROTECTION RATINGS

- IP55, IK 10 according to IEC EN62208
- Type 12 according to UL508A; UL50

Also available fully assembled
(see pages 24-25).



*NOTE: add 16mm when side panels are mounted.

DIMENSIONAL SPECIFICATIONS

DIMENSIONAL RANGE			CABINET DIMENSIONS			FLOOR FIXING		CABLE ENTRY MODULE			DOOR WIDTH	
WIDTH	HEIGHT	DEPTH	B*	A	P	C	D	E	F	M	N	
600	1800	400	600	1809	414	320	265	313	174	445	1630	
600	1800	500	600	1809	514	320	365	313	274	445	1630	
600	1800	600	600	1809	614	320	465	313	374	445	1630	
600	1800	800	600	1809	814	320	665	313	574	445	1630	
600	2000	400	600	2009	414	320	265	313	174	445	1830	
600	2000	500	600	2009	514	320	365	313	274	445	1830	
600	2000	600	600	2009	614	320	465	313	374	445	1830	
600	2000	800	600	2009	814	320	665	313	574	445	1830	
800	1800	400	800	1809	414	520	265	513	174	645	1630	
800	1800	500	800	1809	514	520	365	513	274	645	1630	
800	1800	600	800	1809	614	520	465	513	374	645	1630	
800	1800	800	800	1809	814	520	665	513	574	645	1630	
800	2000	400	800	2009	414	520	265	513	174	645	1830	
800	2000	500	800	2009	514	520	365	513	274	645	1830	
800	2000	600	800	2009	614	520	465	513	374	645	1830	
800	2000	800	800	2009	814	520	665	513	574	645	1830	
1000	1800	400	1000	1809	414	720	265	513	174	845	1630	
1000	1800	500	1000	1809	514	720	365	513	274	845	1630	
1000	1800	600	1000	1809	614	720	465	513	374	845	1630	
1000	1800	800	1000	1809	814	720	665	513	574	845	1630	
1000	2000	400	1000	2009	414	720	265	513	174	845	1830	
1000	2000	500	1000	2009	514	720	365	513	274	845	1830	
1000	2000	600	1000	2009	614	720	465	513	374	845	1830	
1000	2000	800	1000	2009	814	720	665	513	574	845	1830	

*NOTE: add 16mm when side panels are mounted.

E.GO 600

CABINET CODES

CABINET DIMENSIONS			ROOF + BOTTOM + STRUCTURAL UPRIGHTS	BLANK DOOR	GLAZED DOOR	REAR PANEL
L	H	P				
600	1800	400	EGST061804	EGP0060180	EGPX060180	EGRE060180
600	1800	500	EGST061805	EGP0060180	EGPX060180	EGRE060180
600	1800	600	EGST061806	EGP0060180	EGPX060180	EGRE060180
600	1800	800	EGST061808	EGP0060180	EGPX060180	EGRE060180
600	2000	400	EGST062004	EGP0060200	EGPX060200	EGRE060200
600	2000	500	EGST062005	EGP0060200	EGPX060200	EGRE060200
600	2000	600	EGST062006	EGP0060200	EGPX060200	EGRE060200
600	2000	800	EGST062008	EGP0060200	EGPX060200	EGRE060200

E.GO 800

CABINET CODES

CABINET DIMENSIONS			ROOF + BOTTOM + STRUCTURAL UPRIGHTS	BLANK DOOR	GLAZED DOOR	REAR PANEL
L	H	P				
800	1800	400	EGST081804	EGP0080180	EGPX080180	EGRE080180
800	1800	500	EGST081805	EGP0080180	EGPX080180	EGRE080180
800	1800	600	EGST081806	EGP0080180	EGPX080180	EGRE080180
800	1800	800	EGST081808	EGP0080180	EGPX080180	EGRE080180
800	2000	400	EGST082004	EGP0080200	EGPX080200	EGRE080200
800	2000	500	EGST082005	EGP0080200	EGPX080200	EGRE080200
800	2000	600	EGST082006	EGP0080200	EGPX080200	EGRE080200
800	2000	800	EGST082008	EGP0080200	EGPX080200	EGRE080200

E.GO 1000

CABINET CODES

CABINET DIMENSIONS			ROOF + BOTTOM + STRUCTURAL UPRIGHTS	BLANK DOOR	GLAZED DOOR	REAR PANEL
L	H	P				
1000	1800	400	EGST101804	EGP0100180	EGPX100180	EGRE100180
1000	1800	500	EGST101805	EGP0100180	EGPX100180	EGRE100180
1000	1800	600	EGST101806	EGP0100180	EGPX100180	EGRE100180
1000	1800	800	EGST101808	EGP0100180	EGPX100180	EGRE100180
1000	2000	400	EGST102004	EGP0100200	EGPX100200	EGRE100200
1000	2000	500	EGST102005	EGP0100200	EGPX100200	EGRE100200
1000	2000	600	EGST102006	EGP0100200	EGPX100200	EGRE100200
1000	2000	800	EGST102008	EGP0100200	EGPX100200	EGRE100200

NOTE:

for W=600, 800, 1000 on the front structure you can mount:

- blank door
- glazed door

on the rear structure you can mount:

- rear panel
- blank door
- glazed door

(to mount the door on the rear structure, WTPE-001 kit has to be ordered separately).

SUITE CABINET E.GO DOUBLE DOOR

E.go



CHARACTERISTICS

Profile and rails are made up of a unique closed profile manufactured from 1.5mm sheet steel, clamped and with rounded edges. The frame corners are manufactured with orthogonal joints welded to vertical uprights and horizontal rails for the roof and bottom. Only 8 high resistance screws are necessary to mount the structure, while two position pins allow the easy mounting of the two parts of the joint.

FINISH

Epoxy polyester powder coating.
- structure, top and bottom: RAL 7035 smooth finish
- doors and rear panels: RAL 7035 textured finish

DELIVERY

The flat-pack cabinet includes:
- structure manufactured from 1.5mm sheet steel (roof and bottom with 4 structural uprights complete with accessories and fasten couplers for doors/rear panels)
- doors manufactured from 2mm sheet steel, complete with sealing gasket, ø 3mm double bar locking system, tubular stiffening frame
- rear panels manufactured from 1.5mm sheet steel

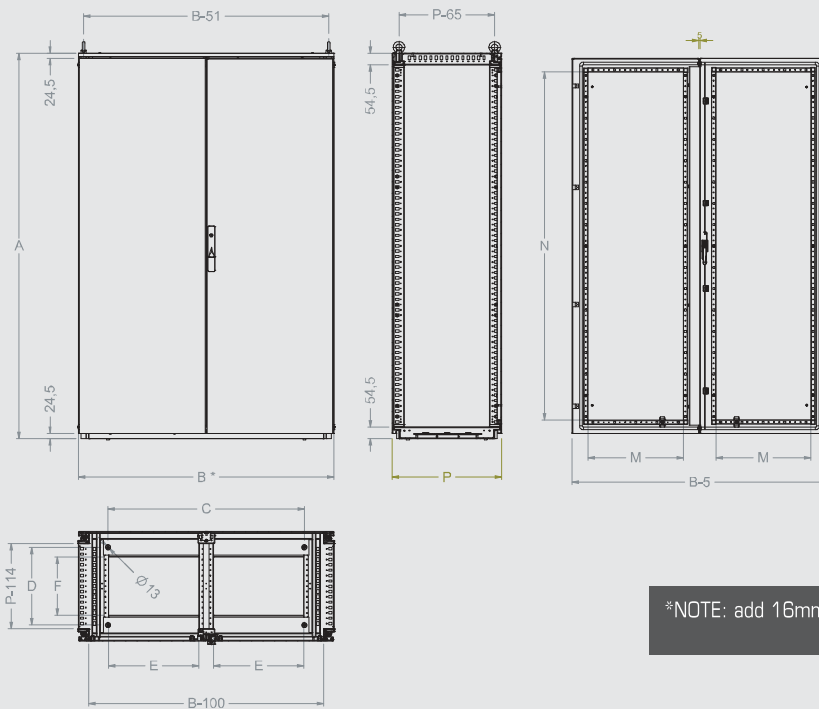
CONFORMITY AND APPROVAL



PROTECTION RATINGS

- IP55, IK 10 according to IEC EN62208
- Type 12 according to UL508A; UL50

Also available fully assembled
(see pages 24-25).



*NOTE: add 16mm when side panels are mounted.

DIMENSIONAL SPECIFICATIONS

DIMENSIONAL RANGE			CABINET DIMENSIONS			FLOOR FIXING		CABLE ENTRY MODULE		DOOR WIDTH	
WIDTH	HEIGHT	DEPTH	B*	A	P	C	D	E	F	M	N
1200	1800	400	1200	1809	414	920	265	420	174	445	1630
1200	1800	500	1200	1809	514	920	365	420	274	445	1630
1200	1800	600	1200	1809	614	920	465	420	374	445	1630
1200	1800	800	1200	1809	814	920	665	420	574	445	1630
1200	2000	400	1200	2009	414	920	265	420	174	445	1830
1200	2000	500	1200	2009	514	920	365	420	274	445	1830
1200	2000	600	1200	2009	614	920	465	420	374	445	1830
1200	2000	800	1200	2009	814	920	665	420	574	445	1830

*NOTE: add 16mm when side panels are mounted.

E.GO 1200

CABINET CODES

CABINET DIMENSIONS			ROOF + BOTTOM + STRUCTURAL UPRIGHTS	BLANK DOOR	REAR PANEL
L	H	P			
1200	1800	400	EGST121804	EGPO120180	EGRE120180
1200	1800	500	EGST121805	EGPO120180	EGRE120180
1200	1800	600	EGST121806	EGPO120180	EGRE120180
1200	1800	800	EGST121808	EGPO120180	EGRE120180
1200	2000	400	EGST122004	EGPO120200	EGRE120200
1200	2000	500	EGST122005	EGPO120200	EGRE120200
1200	2000	600	EGST122006	EGPO120200	EGRE120200
1200	2000	800	EGST122008	EGPO120200	EGRE120200

NOTE:
 on the front structure you can mount:
 - blank door
 on the rear structure you can mount:
 - rear panel - blank door
 (to mount the door on the rear structure, WTPE-002 kit has to be ordered separately).

CABLE ENTRY MODULE

E.go



CABLE ENTRY MODULE FRONT OPENING

To be used as an end or intermediate element in a suite of cabinets. Front and/or rear access.

CHARACTERISTICS

Profile and rails are made up of a unique closed profile manufactured from 1.5mm sheet steel, clamped and with rounded edges. The frame corners are manufactured with orthogonal joints welded to vertical uprights and horizontal rails for the roof and bottom. Only 8 high resistance screws are necessary to mount the structure, while two position pins allow the easy mounting of the two parts of the joint.

FINISH

Epoxy polyester powder coating.

- structure, top and bottom: RAL 7035 smooth finish
- door and rear panel: RAL 7035 textured finish

DELIVERY

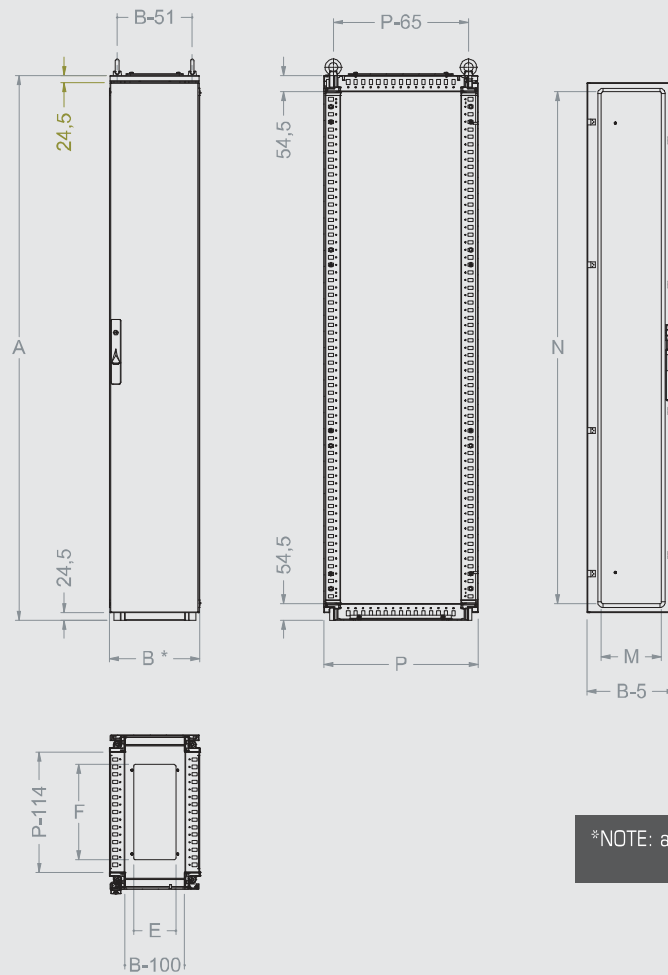
The flat-pack cabinet includes:

- structure manufactured from 1.5mm sheet steel (roof and bottom with 4 structural uprights complete with accessories and fasten couplers for door/rear panel)
- door manufactured from 2mm sheet steel, complete with sealing gasket, \varnothing 3mm double bar locking system
- rear panel manufactured from 1.5mm sheet steel

PROTECTION RATINGS

IP 55.

Also available fully assembled
(see pages 24-25).



*NOTE: add 16mm when side panels are mounted.

DIMENSIONAL SPECIFICATIONS

DIMENSIONAL RANGE			CABINET DIMENSIONS			CABLE ENTRY MODULE		DOOR WIDTH	
WIDTH	HEIGHT	DEPTH	B*	A	P	E	F	M	N
300	1800	400	300	1809	414	140	217	195	1695
300	1800	500	300	1809	514	140	317	195	1695
300	1800	600	300	1809	614	140	417	195	1695
300	1800	800	300	1809	814	140	617	195	1695
300	2000	400	300	2009	414	140	217	195	1895
300	2000	500	300	2009	514	140	317	195	1895
300	2000	600	300	2009	614	140	417	195	1895
300	2000	800	300	2009	814	140	617	195	1895

*NOTE: add 16mm when side panels are mounted.

CABLE ENTRY MODULE CODES

CABLE ENTRY MODULE DIMENSIONS			ROOF + BOTTOM + STRUCTURAL UPRIGHTS	BLANK DOOR	REAR PANEL
L	H	P			
300	1800	400	EGST031804	EGP0030180	EGRE030180
300	1800	500	EGST031805	EGP0030180	EGRE030180
300	1800	600	EGST031806	EGP0030180	EGRE030180
300	1800	800	EGST031808	EGP0030180	EGRE030180
300	2000	400	EGST032004	EGP0030200	EGRE030200
300	2000	500	EGST032005	EGP0030200	EGRE030200
300	2000	600	EGST032006	EGP0030200	EGRE030200
300	2000	800	EGST032008	EGP0030200	EGRE030200

INNER DOOR EGPI

Manufactured from 2mm sheet steel supplied complete with vertical uprights and horizontal rails.

FINISH

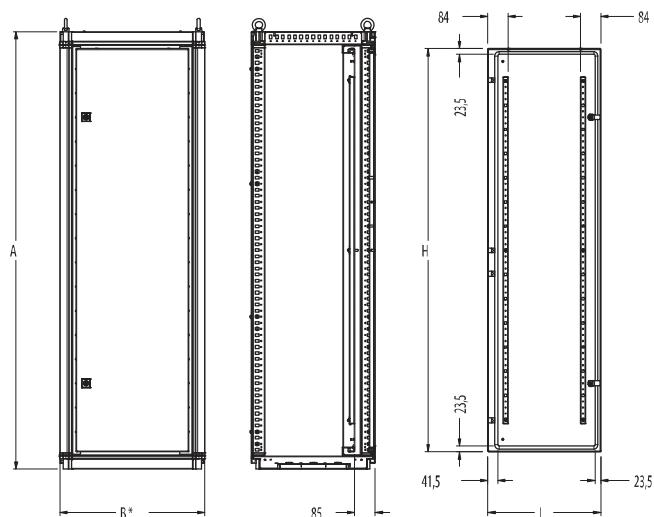
Epoxy polyester powder coating.
Colour: RAL 7035 textured finish.

DELIVERY

- door complete with \varnothing 3mm double bar locking system
- hinges
- vertical uprights and horizontal rails
- mounting accessories

INNER DOOR EGPI

CODE EGPI	DIM. RANGE		CABINET DIM.		INNER DOOR DIM.	
	LARGH.	ALT.	B	A	L	H
EGPI060180	600	1800	600	1809	467	1667
EGPI060200	600	2000	600	2009	467	1867
EGPI080180	800	1800	800	1809	667	1667
EGPI080200	800	2000	800	2009	667	1867
EGPI100180	1000	1800	1000	1809	867	1667
EGPI100200	1000	2000	1000	2009	867	1867



FRONT INSERTED MOUNTING PLATE ATPA

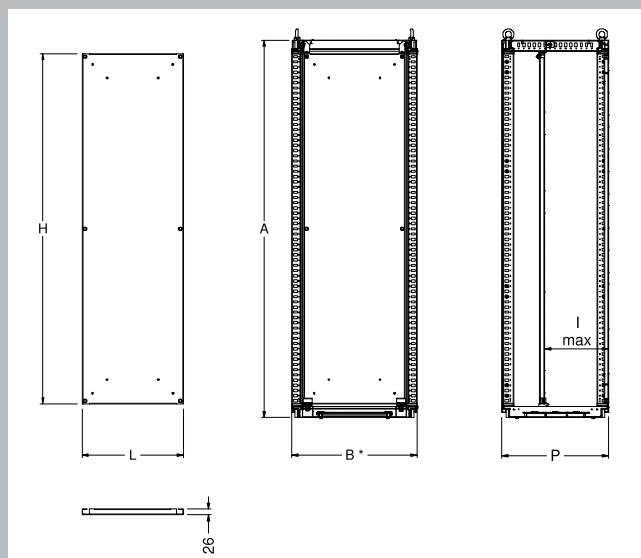
Manufactured from sendzimir sheet steel.

- thickness 2.5mm for $W < 1000$

- thickness 3mm for $W \geq 1000$

FRONT INSERTED MOUNTING PLATE ATPA

CODE ATPA	CABINET DIM.			PLATE DIM.		
	B	A	P	L	H	I (max)
ATPA-060180	600	1809	414	485	1680	350
ATPA-060180	600	1809	514	485	1680	450
ATPA-060180	600	1809	614	485	1680	550
ATPA-060180	600	1809	814	485	1680	750
ATPA-060200	600	2009	414	485	1880	350
ATPA-060200	600	2009	514	485	1880	450
ATPA-060200	600	2009	614	485	1880	550
ATPA-060200	600	2009	814	485	1880	750
ATPA-080180	800	1809	414	685	1680	350
ATPA-080180	800	1809	514	685	1680	450
ATPA-080180	800	1809	614	685	1680	550
ATPA-080180	800	1809	814	685	1680	750
ATPA-080200	800	2009	414	685	1880	350
ATPA-080200	800	2009	514	685	1880	450
ATPA-080200	800	2009	614	685	1880	550
ATPA-080200	800	2009	814	685	1880	750
ATPA-100180	1000	1809	414	885	1680	350
ATPA-100180	1000	1809	514	885	1680	450
ATPA-100180	1000	1809	614	885	1680	550
ATPA-100180	1000	1809	814	885	1680	750
ATPA-100200	1000	2009	414	885	1880	350
ATPA-100200	1000	2009	514	885	1880	450
ATPA-100200	1000	2009	614	885	1880	550
ATPA-100200	1000	2009	814	885	1880	750
ATPA-120180	1200	1809	414	1085	1680	350
ATPA-120180	1200	1809	514	1085	1680	450
ATPA-120180	1200	1809	614	1085	1680	550
ATPA-120180	1200	1809	814	1085	1680	750
ATPA-120200	1200	2009	414	1085	1880	350
ATPA-120200	1200	2009	514	1085	1880	450
ATPA-120200	1200	2009	614	1085	1880	550
ATPA-120200	1200	2009	814	1085	1880	750



To be ordered separately
mounting accessories
WTKB-002.

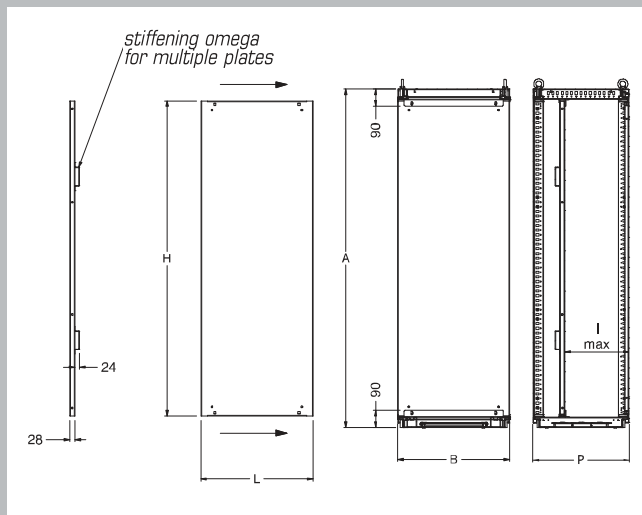
*NOTE: add 16mm when side panels are mounted.

SIDE INSERTED MOUNTING PLATE ATPL

Manufactured from 2.5mm sendzimir sheet steel.
Supply includes mounting accessories and sliding guides.

SIDE INSERTED MOUNTING PLATE ATPL

CODE ATPL	CABINET DIM.			PLATE DIM.		
	B	A	P	L	H	I (max)
ATPL-060180	600	1809	414	600	1685	315
ATPL-060180	600	1809	514	600	1685	415
ATPL-060180	600	1809	614	600	1685	515
ATPL-060180	600	1809	814	600	1685	715
ATPL-060200	600	2009	414	600	1885	315
ATPL-060200	600	2009	514	600	1885	415
ATPL-060200	600	2009	614	600	1885	515
ATPL-060200	600	2009	814	600	1885	715
ATPL-080180	800	1809	414	800	1685	315
ATPL-080180	800	1809	514	800	1685	415
ATPL-080180	800	1809	614	800	1685	515
ATPL-080180	800	1809	814	800	1685	715
ATPL-080200	800	2009	414	800	1885	315
ATPL-080200	800	2009	514	800	1885	415
ATPL-080200	800	2009	614	800	1885	515
ATPL-080200	800	2009	814	800	1885	715
ATPL-100180	1000	1809	414	1000	1685	315
ATPL-100180	1000	1809	514	1000	1685	415
ATPL-100180	1000	1809	614	1000	1685	515
ATPL-100180	1000	1809	814	1000	1685	715
ATPL-100200	1000	2009	414	1000	1885	315
ATPL-100200	1000	2009	514	1000	1885	415
ATPL-100200	1000	2009	614	1000	1885	515
ATPL-100200	1000	2009	814	1000	1885	715
ATPL-120180	1200	1809	414	1200	1685	315
ATPL-120180	1200	1809	514	1200	1685	415
ATPL-120180	1200	1809	614	1200	1685	515
ATPL-120180	1200	1809	814	1200	1685	715
ATPL-120200	1200	2009	414	1200	1885	315
ATPL-120200	1200	2009	514	1200	1885	415
ATPL-120200	1200	2009	614	1200	1885	515
ATPL-120200	1200	2009	814	1200	1885	715



*NOTE: add 16mm when side panels are mounted.

SIDE PANELS EGFI

Manufactured from 1.5mm pressbent sheet steel.

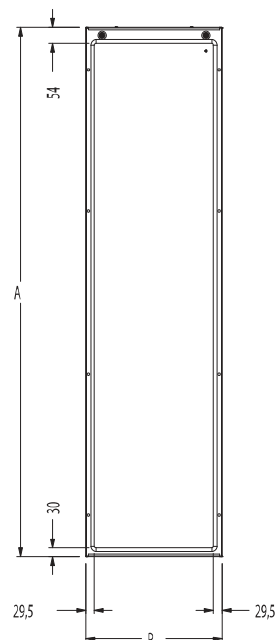
FINISH

Epoxy polyester powder coating.
Colour: RAL 7035 textured finish.

DELIVERY

- two side panels
- rapid fasten couplers
- mounting accessories

SIDE PANELS EGFI				
CODE EGFI	RANGE DIM.		PANELS DIM.	
	HEIGHT	DEPTH	A	P
EGFI040180	1800	400	1784	360
EGFI050180	1800	500	1784	460
EGFI060180	1800	600	1784	560
EGFI080180	1800	800	1784	760
EGFI040200	2000	400	1984	360
EGFI050200	2000	500	1984	460
EGFI060200	2000	600	1984	560
EGFI080200	2000	800	1984	760



MODULAR PLINTH ATZE

CHARACTERISTICS

Corner pieces made of pressed sheet steel, thickness 2.5mm, with PVC front cover caps.

Side crosspieces: made of 2mm thick pressed sheet steel.

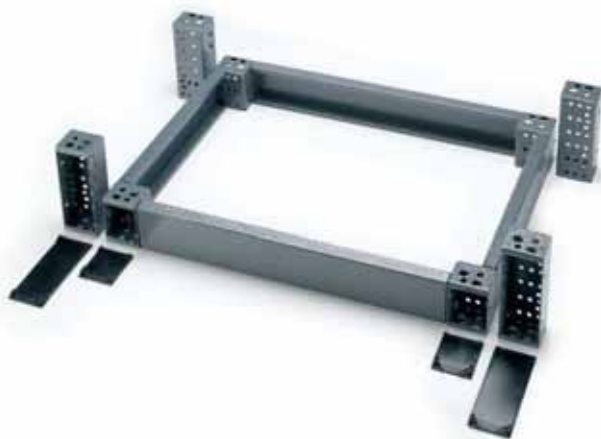
FINISH

Epoxy polyester powder coating.
Colour: RAL 7025 textured finish (dark grey).

DELIVERY

The modular plinth is made up of:

- corner pieces: supply includes 4 pieces complete with front covers and mounting hardware
- front crosspieces: supply includes 2 pieces
- side crosspieces: supply includes 2 pieces



CORNER PIECES

CODE ATZE	DESCRIPTION
ATZE-A100	CORNER PIECES FOR PLINTH H=100
ATZE-A200	CORNER PIECES FOR PLINTH H=200

Supply includes 4 pieces with mounting hardware.

UNIVERSAL FRONT AND SIDE CROSSPIECES

CODE ATZE	DESCRIPTION	CROSSPIECE LENGHT (mm)
ATZE-T0300	FRONT CROSSPIECES PLINTH L=300	146
ATZE-T0400	FRONT CROSSPIECES PLINTH L=400	246
ATZE-T0500	FRONT CROSSPIECES PLINTH L=500	346
ATZE-T0600	FRONT CROSSPIECES PLINTH L=600	446
ATZE-T0800	FRONT CROSSPIECES PLINTH L=800	646
ATZE-T1000	FRONT CROSSPIECES PLINTH L=1000	846
ATZE-T1200	FRONT CROSSPIECES PLINTH L=1200	1046

Supply includes 2 pieces.

NOTE: for the dimensional specifications see page 50.

DOOR STOP WTFP-003

It holds the door open at 90° avoiding accidental closing.

CHARACTERISTICS

Manufactured from 2.5mm zinc passivated sheet steel, complete with accessories.

DELIVERY

Supply includes 1 piece with mounting accessories.

MAIN COMMON ACCESSORIES E.GO/ARETA



WATERTIGHT PLINTH H=200 ATZ3

Mainly used as gallery for the passage of cables, to protect them from accidental shocks and chemical agents.

CHARACTERISTICS

Manufactured from 2mm pressbent and welded sheet steel.

FINISH

Epoxy polyester powder coating.
Colour: RAL 7025 textured finish.

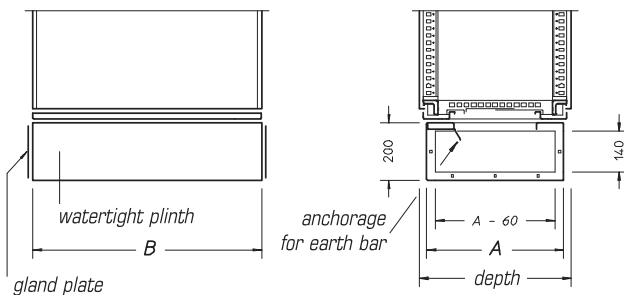
DELIVERY

- plinth without covers
- adhesive seal
- mounting accessories

WATERTIGHT PLINTH ATZ3

CODE ATZ3	CABINET DIM.		PLINTH DIM.	
	WIDTH	DEPTH	B	A
ATZ3-060040	600	414	600	378
ATZ3-060050	600	514	600	478
ATZ3-060060	600	614	600	578
ATZ3-060080	600	814	600	778
ATZ3-080040	800	414	800	378
ATZ3-080050	800	514	800	478
ATZ3-080060	800	614	800	578
ATZ3-080080	800	814	800	778
ATZ3-100040	1000	414	1000	378
ATZ3-100050	1000	514	1000	478
ATZ3-100060	1000	614	1000	578
ATZ3-100080	1000	814	1000	778
ATZ3-120040	1200	414	1200	378
ATZ3-120050	1200	514	1200	478
ATZ3-120060	1200	614	1200	578
ATZ3-120080	1200	814	1200	778

NOTE: two side covers to be ordered separately.



TWO SIDE COVERS ATFL

DELIVERY

- two side covers with gasket
- mounting accessories



TWO SIDE COVERS ATFL

CODE ATFL	CABINET DEPTH
ATFL-000400	414
ATFL-000500	514
ATFL-000600	614
ATFL-000800	814

INTERMEDIATE MOUNTING PLATE ATPN

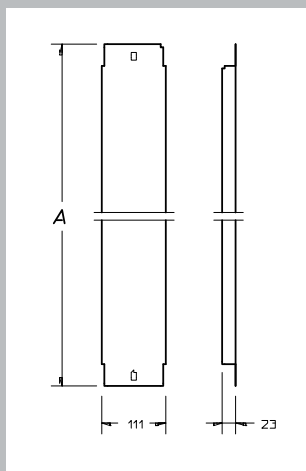
To give continuity to mounting plates between two cabinets mounted in a suite.

CHARACTERISTICS

Manufactured from 2.5mm pressbent sendzimir sheet steel.

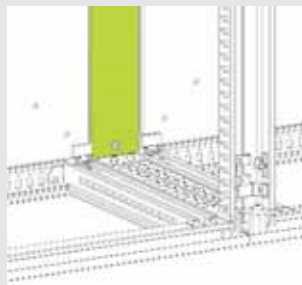
DELIVERY

Supply includes mounting accessories.



INTERMEDIATE MOUNTING PLATE ATPN

CODE ATPN	CABINET HEIGHT	PLATE HEIGHT
ATPN-001800	1800	1686
ATPN-002000	2000	1886



SUPPLEMENTARY MOUNTING PLATE ATPS

CODE ATPS	CABINET DIM.		PLATE DIM.	
	WIDTH	HEIGHT	L	H
ATPS-060180	600	1809	480	1670
ATPS-060200	600	2009	480	1870
ATPS-080180	800	1809	680	1670
ATPS-080200	800	2009	680	1870
ATPS-100180	1000	1809	880	1670
ATPS-100200	1000	2009	880	1870

SUPPLEMENTARY MOUNTING PLATE ATPS

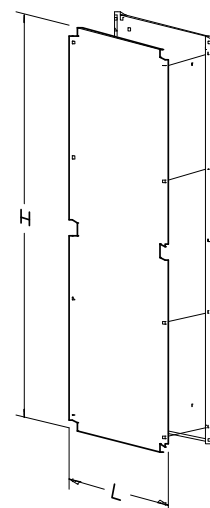
Applied on the rear panel to obtain a supplementary mounting plate.

CHARACTERISTICS

Manufactured from 2.5mm sendzimir sheet steel.

DELIVERY

Supply includes mounting accessories.



LATERAL DOOR ATPF

CHARACTERISTICS

Manufactured from 1.5mm sheet steel.

FINISH

Epoxy polyester powder coating.
Colour: RAL 7035 textured finish.

DELIVERY

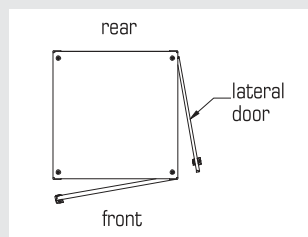
- door complete with sealing gasket
- 4 hinges
- mounting screws

NOTE: WTPE-005 kit to be ordered separately.

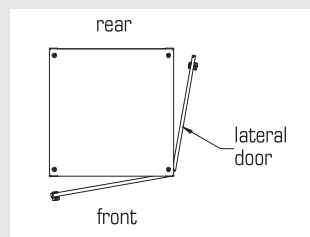
LATERAL DOOR ATPF

CODE ATPF	CABINET DIMENSIONS	
	HEIGHT	DEPTH
ATPF040180	1800	400
ATPF050180	1800	500
ATPF060180	1800	600
ATPF080180	1800	800
ATPF040200	2000	400
ATPF050200	2000	500
ATPF060200	2000	600
ATPF080200	2000	800

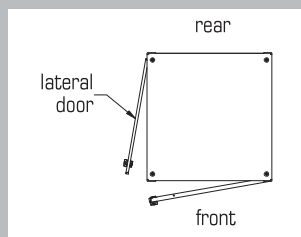
POSSIBLE MOUNTING OPTION



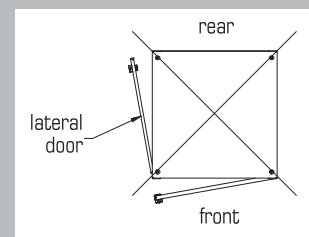
POSSIBLE MOUNTING OPTION



POSSIBLE MOUNTING OPTION



THIS MOUNTING OPTION IS NOT AVAILABLE



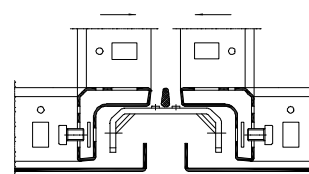
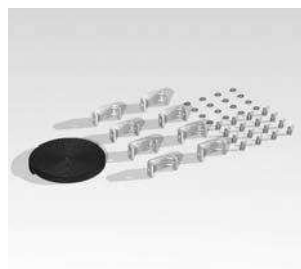
JOINING KIT ATKU-006

Simplified solution of joining kit, thickness 4mm.

DELIVERY

Supply includes 8 pieces.

NOTE: to join more E.go cabinets the kit ATKU-002 can be used (see page 75 of the general catalogue).
To grant more rigidity to cabinets joined in a suite the kit ATKU-003 can be used (see page 76 of the general catalogue).



EYEBOLTS WTGS-001

Zinc-plated M12 lifting eyebolts.

DELIVERY

Supply includes 4 pieces.



FIXING BRACKETS WTSS-001

5mm zinc-plated sheet steel lifting brackets.

DELIVERY

Supply includes 4 pieces.



HINGES 180° WTCE-180001

180° hinges to be mounted on standard doors with mounting accessories.

FAST FIXING BRACKETS WTPR - R

A cost effective solution allowing rapid fixing.

CHARACTERISTICS

Manufactured from 2mm sendzimir sheet steel.

DELIVERY

Supply includes 4 pieces.



RAILS H=50mm WTPR

A unique easy mounted rail is used for all applications (horizontal, lateral and vertical mounting).

CHARACTERISTICS

Manufactured from 1.5mm sendzimir sheet steel with holes at 25mm. To be applied to the structure by rail fixing brackets WTSF-001.

DELIVERY

Supply includes 4 pieces.

RAILS WTPR H 50mm

CODE WTPR	CABINET DIM.	RAIL LENGTH
WTPR-050040	400	300
WTPR-050050	500	400
WTPR-050060	600	500
WTPR-050080	800	700
WTPR-050100	1000	900
WTPR-050120	1200	1100
WTPR-050180	1800	1700
WTPR-050200	2000	1900

FIXING BRACKETS WTSF-001

CHARACTERISTICS

Manufactured from 2.5mm zinc passivated sheet steel.

DELIVERY

Supply includes 8 pieces with mounting accessories.



BRACKETS WTPR - R H=25

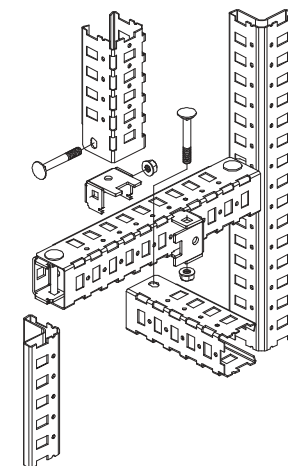
CODE WTPR	CABINET DIMENSIONS
WTPR-025040R	400
WTPR-025050R	500
WTPR-025060R	600
WTPR-025080R	800

BRACKETS WTPR - R H=50

CODE WTPR	CABINET DIMENSIONS
WTPR-050040R	400
WTPR-050050R	500
WTPR-050060R	600
WTPR-050080R	800



Rail fixing brackets WTSF-001 to be ordered separately.



BLANK VERTICAL DIVIDING PANEL ATD1

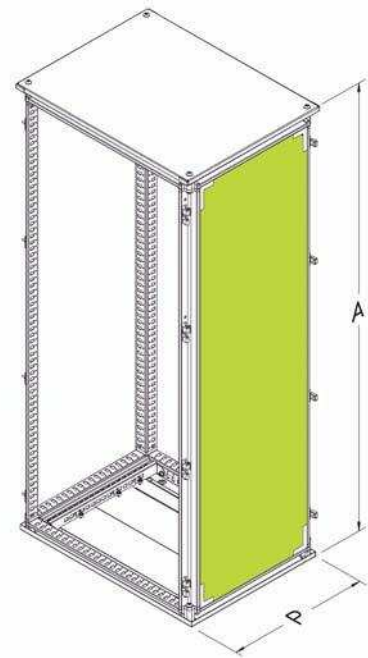
Manufactured from 1.5mm sendzimir sheet steel then folded on the sides. To be used to separate two cabinets.

DELIVERY

Supply includes mounting accessories.

VERTICAL DIVIDING PANEL ATD1		
CODE ATD1	CABINET DIMENSIONS	
	P	A
ATD1-040180	414	1809
ATD1-040200	414	2009
ATD1-050180	514	1809
ATD1-050200	514	2009
ATD1-060180	614	1809
ATD1-060200	614	2009
ATD1-080180	814	1809
ATD1-080200	814	2009

NOTE: when 2 cabinets are joined together + ATD1 the protection degree is IP 2X inside the cabinet.



PUNCHED PARTITION PANEL ATD2			
CODE ATD2	CABINET DIMENSIONS		
	P	A	HOLES NO.
ATD2-050180	514	1809	36
ATD2-050200	514	2009	41
ATD2-060180	614	1809	44
ATD2-060200	614	2009	50
ATD2-080180	814	1809	68
ATD2-080200	814	2009	77

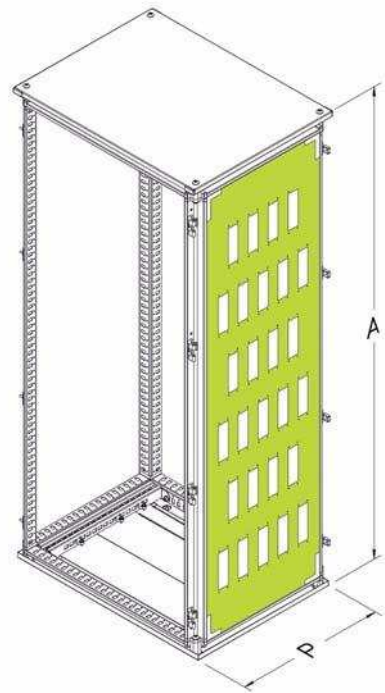
Note: when 2 cabinets are joined together + ATD2 the protection degree is IP 2X inside the cabinet.

PUNCHED PARTITION PANEL ATD2

Punched partition panel for 24 pole connectors, manufactured from 1.5mm sendzimir sheet steel.

DELIVERY

Supply includes mounting accessories.



WE350Z

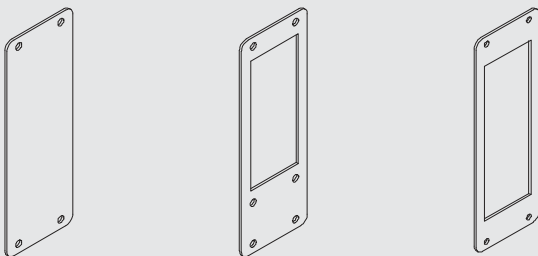
Closing plate (supply includes 1 piece).

WE351Z

Reducer 24/16 poles (supply includes 1 piece).

WE352

Gasket (supply includes 1 piece).

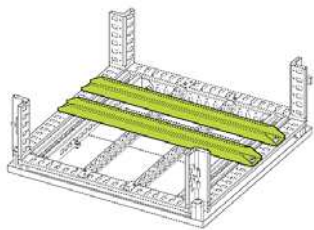


TRANSFORMER SUPPORTS WTST

Made from 2.5mm press bent sheet steel.
The rails are adjustable allowing easy positioning and fixing of transformers.

DELIVERY

Supply includes: 2 rails with mounting accessories.



TRANSFORMER SUPPORTS WTST

CODE WTST	CABINET WIDTH
WTST-000600	600
WTST-000800	800
WTST-001000	1000
WTST-001200	1200

For E.go/Areta cabinets it is recommended to use fast fixing brackets for heavy load (see page 16)

WA385

Sliding nuts to fix transformer.
Supply includes: 4 nuts, screws and washers.

RAILS FOR CABLE FIXING WTTF

CODE WTTF	CABINET WIDTH
WTTF-000600	600
WTTF-000800	800
WTTF-001000	1000
WTTF-001200	1200

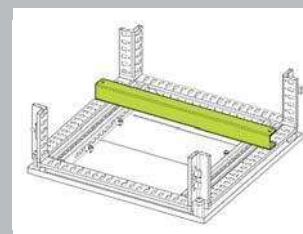
RAILS FOR CABLE FIXING WTTF

CHARACTERISTICS

Manufactured from 3mm zinc passivated sheet steel.

DELIVERY

Supply includes single element with mounting accessories.



MICROSWITCH WI100

Complying with IEC 337-VDE 0660.

CONFORMITY AND APPROVAL



Fast installed thermoplastic support.
Supply includes: one microswitch, one support, mounting accessories.



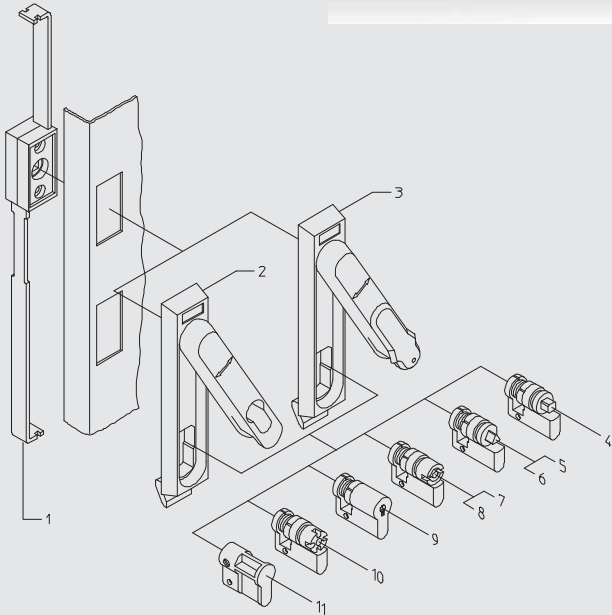
PLAN POCKET WA050

A4 sheet size manufactured from thermoplastic material.

DELIVERY

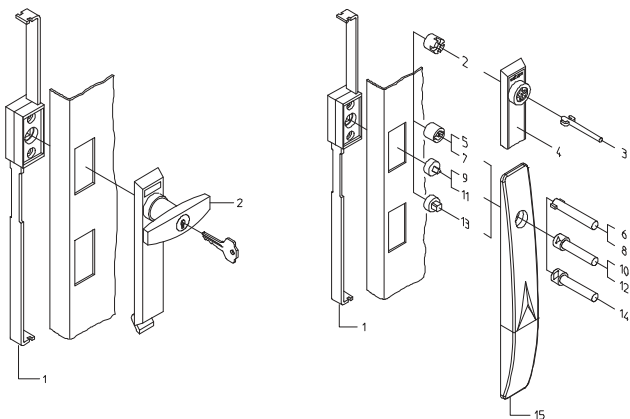
Supply includes: 1 plan pocket with double sided adhesive tape.





LOCKING SYSTEM WE

CODE WE	REF.	DESCRIPTION
WE005	1	ROD SYSTEM
WE090	2	SWINGING HANDLE WITH LOCKING COVER
WE100	3	SWINGING HANDLE W/ SEAL AND LOCK. COVER
WE140	4	LOCK INSERT ∇ 7
WE125	5	LOCK INSERT ∇ 7
WE130	6	LOCK INSERT ∇ 8
WE115	7	ETA LOCK INSERT \varnothing 3
WE120	8	ETA LOCK INSERT \varnothing 5
WE110	9	INSERT WITH KEY LOCK
WE150	10	FIAT LOCK INSERT
WE105	11	BLANK INSERT



LOCKING SYSTEM WE

CODE WE	REF.	DESCRIPTION
WE005	1	ROD SYSTEM
WE220	2	T HANDLE WITH KEY LOCK

LOCKING SYSTEM WE

CODE WE	REF.	DESCRIPTION
WE005	1	ROD SYSTEM
WE080	2	FIAT INSERT
WE210	3	FIAT KEY
WE025	4	LOCKING COVER FOR FIAT INSERT
WE030	5	ETA INSERT \varnothing 3
WE160	6	ETA KEY \varnothing 3
WE040	7	ETA INSERT \varnothing 5
WE170	8	ETA KEY \varnothing 5
WE050	9	INSERT ∇ 7
WE180	10	KEY ∇ 7
WE060	11	INSERT ∇ 8
WE190	12	KEY ∇ 8
WE070	13	INSERT ∇ 7
WE200	14	KEY ∇ 7
WE017	15	ARETA LOCKING COVER

E.GO PC WITH FOLDING KEYBOARD SUPPORT

E.go



E.GO PC WITH FOLDING KEYBOARD SUPPORT

CHARACTERISTICS/DELIVERY

The flat-pack cabinet includes:

- structure with rear door manufactured from 1.5mm sheet steel
- The front side includes:
- upper glass door at top for monitor viewing
(alternatively: upper blank screwed panel or upper blank hinged door)
 - extractable drawer with folding keyboard support
(alternatively: blank panel)
 - lower blank door
 - sealed box for keyboard
 - adhesive double side tape for keyboard fixing
 - gasket and mounting accessories
 - monitor support

Note: side panels and modular plinth ATZE to be ordered separately.

FINISH

Epoxy polyester powder coating.

Structure, top and bottom: colour RAL 7035 smooth finish.

Pc front and rear panel: colour RAL 7035 textured finish.

Aluminium profile for transparent upper door:

colour RAL 7025 textured finish.

PROTECTION RATINGS

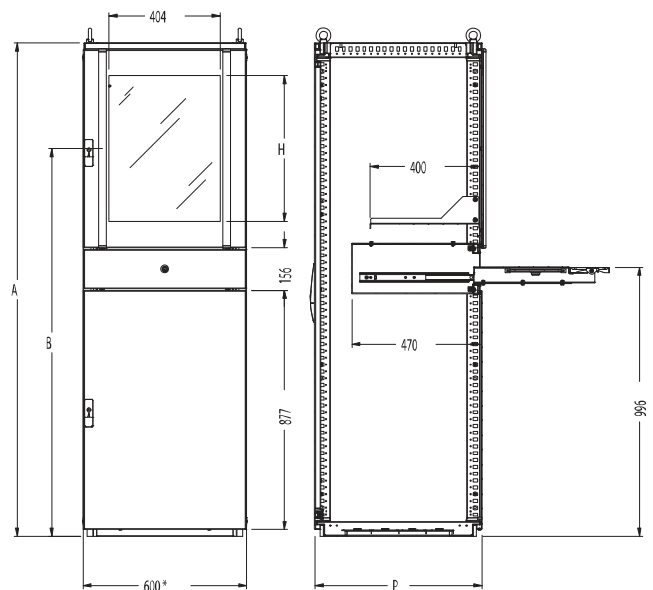
IP 55.

Also available fully assembled
(see page 25).

DIMENSIONAL SPECIFICATIONS

WIDTH*	HEIGHT	DEPTH	OTHER DIMENSIONS			
			A	P	B	H
600	1800	600	1809	614	1420	530
600	1800	800	1809	814	1420	530
600	2000	600	2009	614	1520	730
600	2000	800	2009	814	1520	730

*NOTE: add 16mm when side panels are mounted.



E.GO PC WITH FOLDING KEYBOARD SUPPORT

CABINET DIM.			ROOF + BOTTOM + STRUCT. UPRIGHTS	UPPER GLASS DOOR*	LOWER BLANK DOOR	EXTRACTABLE DRAWER**	REAR BLANK DOOR	MONITOR SUPPORT
L	H	P						
600	1800	600	EGST061806	ATPC180PX	ATPC180PI	ATPC001CE	EGP0060180	WTPU000600
600	1800	800	EGST061808	ATPC180PX	ATPC180PI	ATPC001CE	EGP0060180	WTPU000600
600	2000	600	EGST062006	ATPC200PX	ATPC200PI	ATPC001CE	EGP0060200	WTPU000600
600	2000	800	EGST062008	ATPC200PX	ATPC200PI	ATPC001CE	EGP0060200	WTPU000600

* You can also assemble the upper blank screwed panel ATPC ... PN or the upper blank hinged door ATPC ... PC.

** Alternatively the blank panel ATPC015PN can be mounted.

ALTERNATIVE ACCESSORIES E.GO PC CABINET

UPPER BLANK SCREWED PANEL ATPC ... PN (ALTERNATIVE TO ATPC ... PX)

CHARACTERISTICS

Manufactured from 1.5mm sheet steel.

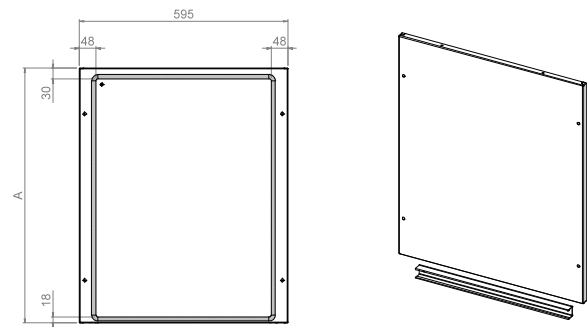
FINISH

Colour RAL 7035 textured.

DELIVERY

Supply includes mounting rail and screws.

CODE ATPC	CABINET HEIGHT	A
ATPC180PN	1800	727
ATPC200PN	2000	927



CODE ATPC	CABINET HEIGHT	A
ATPC180PC	1800	727
ATPC200PC	2000	927

UPPER BLANK HINGED DOOR ATPC ... PC (ALTERNATIVE TO ATPC ... PX)

CHARACTERISTICS

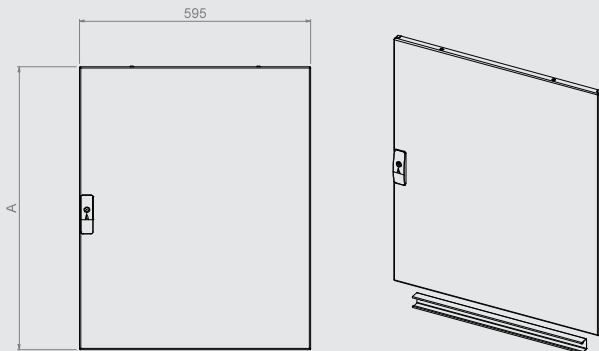
Manufactured from 1.5mm sheet steel.

FINISH

Colour RAL 7035 textured.

DELIVERY

Supply includes mounting rail, screws and hinges.



**BLANK PANEL ATPC015PN
(ALTERNATIVE TO ATPC001CE)**

CHARACTERISTICS

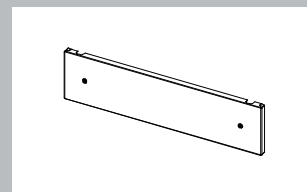
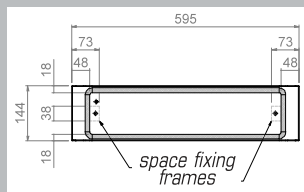
Manufactured from 1.5mm sheet steel.

FINISH

Colour RAL 7035 textured.

DELIVERY

Supply includes mounting screws.



E.GO PC ACCESSORIES

SLIDING SHELF WTRS000600

Maximum capacity 30kgs.

CHARACTERISTICS

Manufactured from 1.5mm sheet steel.

FINISH

Colour RAL 7035 textured finish.

DELIVERY

Supply includes one piece with mounting accessories.



WTPR - CP mounting rails to be ordered separately.

MOUNTING RAILS FOR WTRS

CODE WTPR	DESCRIPTION	SUPPLY	CABINET DEPTH
WTPR-050060CP	MOUNTING RAILS	2 PIECES	600
WTPR-050080CP	MOUNTING RAILS	2 PIECES	800

WTSF-001 rail fixing brackets to be ordered separately.

FIXED SHELF WTRP

CHARACTERISTICS

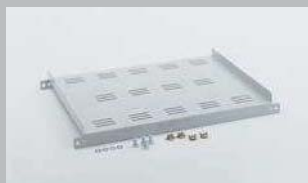
Manufactured from 2mm sheet steel.

FINISH

Colour RAL 7035 textured finish.

DELIVERY

Supply includes one piece with mounting accessories.



FIXED SHELF WTRP

CODE WTRP	CABINET DEPTH
WTRP060060	614
WTRP060080	814

E.GO MODULAR

E.go



E.GO MODULAR

CHARACTERISTICS/DELIVERY

The flat-pack cabinet includes:

- structure manufactured from 1.5mm sheet steel (roof and bottom with 4 structural uprights complete with accessories and fasten couplers for door/rear panel)
- glazed door manufactured from 2mm with tubular stiffening frame, 4mm transparent plexiglas sheet, complete with sealing gasket, \varnothing 3mm double bar locking system
- rear panel manufactured from 1.5mm sheet steel Modular structure with ref. 1 and 2 in 1.5mm sendzimir sheet steel. Ref. 3 in 1.5mm sheet steel.

FINISH

Epoxy polyester powder coating.

- Structure, top and bottom: colour RAL 7035 smooth finish.
- Door and rear panel: colour RAL 7035 textured finish.
- Trim rails: colour RAL 7035 textured finish.

CONFORMITY AND APPROVAL

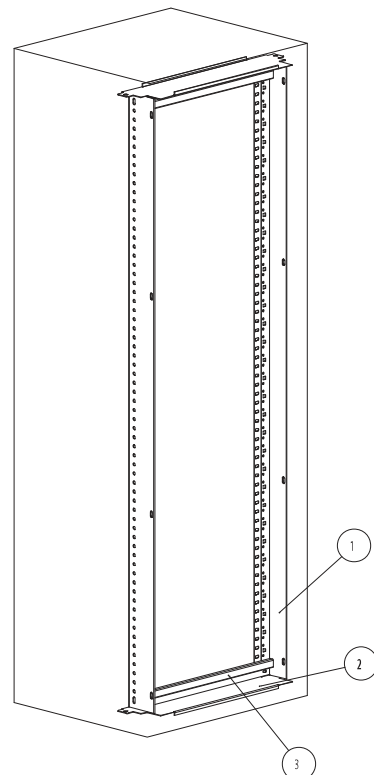


PROTECTION RATINGS

- IP55, IK 10 according to IEC EN62208
- Type 12 according to UL508A; UL50

DIMENSIONAL CHARACTERISTICS

CODE	CABINET DIM.		REF.	DESCRIPTION
	WIDTH	HEIGHT		
EGSM060180	600	1800	1	TWO UPRIGHTS
			2	TWO COVERS
			3	TWO TRIM RAILS
EGSM080180	800	1800	1	TWO UPRIGHTS
			2	TWO COVERS
			3	TWO TRIM RAILS
EGSM060200	600	2000	1	TWO UPRIGHTS
			2	TWO COVERS
			3	TWO TRIM RAILS
EGSM080200	800	2000	1	TWO UPRIGHTS
			2	TWO COVERS
			3	TWO TRIM RAILS



MODULAR CABINET CODES

CABINET DIM.			ROOF + BOTTOM + STRUCTURAL UPRIGHTS	GLAZED DOOR	REAR PANEL	MOD. STRUCTURE
L	H	P				
600	1800	400	EGST061804	EGPX060180	EGRE060180	EGSM060180
600	1800	500	EGST061805	EGPX060180	EGRE060180	EGSM060180
600	1800	600	EGST061806	EGPX060180	EGRE060180	EGSM060180
600	1800	800	EGST061808	EGPX060180	EGRE060180	EGSM060180
600	2000	400	EGST062004	EGPX060200	EGRE060200	EGSM060200
600	2000	500	EGST062005	EGPX060200	EGRE060200	EGSM060200
600	2000	600	EGST062006	EGPX060200	EGRE060200	EGSM060200
600	2000	800	EGST062008	EGPX060200	EGRE060200	EGSM060200
800	1800	400	EGST081804	EGPX080180	EGRE080180	EGSM080180
800	1800	500	EGST081805	EGPX080180	EGRE080180	EGSM080180
800	1800	600	EGST081806	EGPX080180	EGRE080180	EGSM080180
800	1800	800	EGST081808	EGPX080180	EGRE080180	EGSM080180
800	2000	400	EGST082004	EGPX080200	EGRE080200	EGSM080200
800	2000	500	EGST082005	EGPX080200	EGRE080200	EGSM080200
800	2000	600	EGST082006	EGPX080200	EGRE080200	EGSM080200
800	2000	800	EGST082008	EGPX080200	EGRE080200	EGSM080200

E.GO MODULAR ACCESSORIES

To be ordered separately:

- horizontal plate ATDO, see pages 148-150 of the general catalogue
- rails WTPR, see pages 149-151 of the general catalogue
- front covers ATSA, see page 150 of the general catalogue
- blank panels ATPM, see page 150 of the general catalogue
- mounting plate ATPU, see page 150 of the general catalogue
- punched panels ATPM and ATPH, see page 151 of the general catalogue
- hinges MDWA, see page 151 of the general catalogue

E.GO CABINET FULLY ASSEMBLED

(upon request)

E.go

CABLE ENTRY MODULE FRONT OPENING

CODE EGO	CABINET DIMENSIONS		
	WIDTH	HEIGHT	DEPTH
EG0031804	300	1800	400
EG0031805	300	1800	500
EG0031806	300	1800	600
EG0031808	300	1800	800
EG0032004	300	2000	400
EG0032005	300	2000	500
EG0032006	300	2000	600
EG0032008	300	2000	800

CABINET W=600 WITH GLASS DOOR

CODE EGO	CABINET DIMENSIONS		
	WIDTH	HEIGHT	DEPTH
EG0061804PX	600	1800	400
EG0061805PX	600	1800	500
EG0061806PX	600	1800	600
EG0061808PX	600	1800	800
EG0062004PX	600	2000	400
EG0062005PX	600	2000	500
EG0062006PX	600	2000	600
EG0062008PX	600	2000	800

CABINET W=800 WITH BLANK DOOR

CODE EGO	CABINET DIMENSIONS		
	WIDTH	HEIGHT	DEPTH
EG0081804PR	800	1800	400
EG0081805PR	800	1800	500
EG0081806PR	800	1800	600
EG0081808PR	800	1800	800
EG0082004PR	800	2000	400
EG0082005PR	800	2000	500
EG0082006PR	800	2000	600
EG0082008PR	800	2000	800

CABINET W=800 WITH DOUBLE DOOR

CODE EGO	CABINET DIMENSIONS		
	WIDTH	HEIGHT	DEPTH
EG0081804DP	800	1800	400
EG0081805DP	800	1800	500
EG0081806DP	800	1800	600
EG0081808DP	800	1800	800
EG0082004DP	800	2000	400
EG0082005DP	800	2000	500
EG0082006DP	800	2000	600
EG0082008DP	800	2000	800

CABINET W=600 WITH BLANK DOOR

CODE EGO	CABINET DIMENSIONS		
	WIDTH	HEIGHT	DEPTH
EG0061804PR	600	1800	400
EG0061805PR	600	1800	500
EG0061806PR	600	1800	600
EG0061808PR	600	1800	800
EG0062004PR	600	2000	400
EG0062005PR	600	2000	500
EG0062006PR	600	2000	600
EG0062008PR	600	2000	800

CABINET W=600 WITH DOUBLE DOOR

CODE EGO	CABINET DIMENSIONS		
	WIDTH	HEIGHT	DEPTH
EG0061804DP	600	1800	400
EG0061805DP	600	1800	500
EG0061806DP	600	1800	600
EG0061808DP	600	1800	800
EG0062004DP	600	2000	400
EG0062005DP	600	2000	500
EG0062006DP	600	2000	600
EG0062008DP	600	2000	800

CABINET W=800 WITH GLASS DOOR

CODE EGO	CABINET DIMENSIONS		
	WIDTH	HEIGHT	DEPTH
EG0081804PX	800	1800	400
EG0081805PX	800	1800	500
EG0081806PX	800	1800	600
EG0081808PX	800	1800	800
EG0082004PX	800	2000	400
EG0082005PX	800	2000	500
EG0082006PX	800	2000	600
EG0082008PX	800	2000	800

CABINET W=1000 WITH BLANK DOOR

CODE EGO	CABINET DIMENSIONS		
	WIDTH	HEIGHT	DEPTH
EG0101804PR	1000	1800	400
EG0101805PR	1000	1800	500
EG0101806PR	1000	1800	600
EG0101808PR	1000	1800	800
EG0102004PR	1000	2000	400
EG0102005PR	1000	2000	500
EG0102006PR	1000	2000	600
EG0102008PR	1000	2000	800

CABINET W=1000 WITH GLASS DOOR

CODE EGO	CABINET DIMENSIONS		
	WIDTH	HEIGHT	DEPTH
EGO101804PX	1000	1800	400
EGO101805PX	1000	1800	500
EGO101806PX	1000	1800	600
EGO101808PX	1000	1800	800
EGO102004PX	1000	2000	400
EGO102005PX	1000	2000	500
EGO102006PX	1000	2000	600
EGO102008PX	1000	2000	800

CABINET W=1000 WITH DOUBLE DOOR

CODE EGO	CABINET DIMENSIONS		
	WIDTH	HEIGHT	DEPTH
EGO101804DP	1000	1800	400
EGO101805DP	1000	1800	500
EGO101806DP	1000	1800	600
EGO101808DP	1000	1800	800
EGO102004DP	1000	2000	400
EGO102005DP	1000	2000	500
EGO102006DP	1000	2000	600
EGO102008DP	1000	2000	800

CABINET W=1200 WITH BLANK DOOR

CODE EGO	CABINET DIMENSIONS		
	WIDTH	HEIGHT	DEPTH
EGO121804PR	1200	1800	400
EGO121805PR	1200	1800	500
EGO121806PR	1200	1800	600
EGO121808PR	1200	1800	800
EGO122004PR	1200	2000	400
EGO122005PR	1200	2000	500
EGO122006PR	1200	2000	600
EGO122008PR	1200	2000	800

CABINET W=1200 WITH DOUBLE DOOR

CODE EGO	CABINET DIMENSIONS		
	WIDTH	HEIGHT	DEPTH
EGO121804DP	1200	1800	400
EGO121805DP	1200	1800	500
EGO121806DP	1200	1800	600
EGO121808DP	1200	1800	800
EGO122004DP	1200	2000	400
EGO122005DP	1200	2000	500
EGO122006DP	1200	2000	600
EGO122008DP	1200	2000	800

PC CABINET WITH EXTRACTABLE DRAWER

CODE EGO	CABINET DIMENSIONS		
	WIDTH	HEIGHT	DEPTH
EGO061806CE	600	1800	600
EGO062006CE	600	2000	600
EGO061808CE	600	1800	800
EGO062008CE	600	2000	800

To order:

Front inserted mounting plate ATPA: see page 10

Side inserted mounting plate ATPL: see page 13

Inner door EGPI: see page 10

Side panels EGFI: see page 11

Modular plinth ATZE: see page 11

Joining kit ATKU-006: see page 14

Eyebolts WTGS-001: see page 14

Inner accessories for E.go PC with folding keyboard support: see page 20

STAINLESS STEEL SUITE CABINET E.GO SINGLE DOOR

E.go

CHARACTERISTICS

Rails are made up of a unique closed profile manufactured from 1.5mm AISI 304 stainless steel.

The frame corners are manufactured with orthogonal joints in AISI 304 stainless steel, welded to the rails.

Doors manufactured from 2mm AISI 304 (AISI 316 on request) satin stainless steel with tubular stiffening frame.

Hinges are made in zinc alloy, chrome plated, open 180° (hinges manufactured from AISI 316 stainless steel on request).

Rear panel manufactured from 1.5mm AISI 304 (AISI 316 on request) satin stainless steel.

Roof manufactured from 1.5mm AISI 304 (AISI 316 on request) satin stainless steel.

Bottom manufactured from 1.5mm AISI 304 (AISI 316 on request) satin stainless steel.

DELIVERY

The assembled cabinet includes:

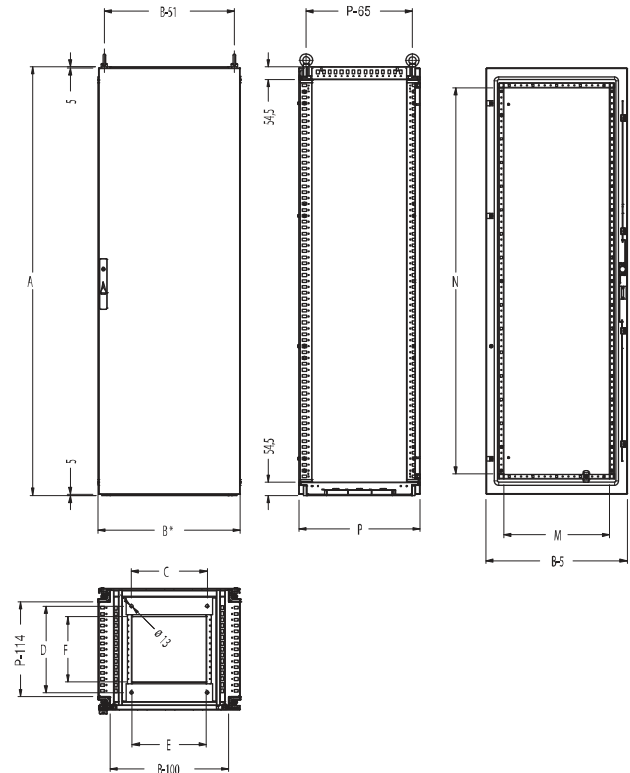
- structure
- door complete with \varnothing 3mm double bar locking system
- rear panel
- bottom with removable cable entry

CONFORMITY AND APPROVAL



PROTECTION RATINGS

- IP55, IK 10 according to IEC EN62208
- Type 12 according to UL508A; UL50



DIMENSIONAL SPECIFICATIONS

CODE EGOX	DIMENSIONAL RANGE			CABINET DIMENSIONS			FLOOR FIXING		CABLE ENTRY		DOOR WIDTH	
	WIDTH	HEIGHT	DEPTH	B*	A	P	C	D	E	F	M	N
EGOX-061805PR	600	1800	500	600	1809	514	320	365	313	274	445	1630
EGOX-062006PR	600	2000	600	600	2009	614	320	465	313	374	445	1830
EGOX-081805PR	800	1800	500	800	1809	514	520	365	513	274	645	1630
EGOX-082006PR	800	2000	600	800	2009	614	520	465	513	374	645	1830
EGOX-101805PR	1000	1800	500	1000	1809	514	720	365	713	274	845	1630
EGOX-102006PR	1000	2000	600	1000	2009	614	720	465	713	374	845	1830

*Note: add 16mm when side panels are mounted.

STAINLESS STEEL SUITE CABINET E.GO DOUBLE DOOR

E.go

CHARACTERISTICS

Rails are made up of a unique closed profile manufactured from 1.5mm AISI 304 stainless steel.

The frame corners are manufactured with orthogonal joints in AISI 304 stainless steel, welded to the rails.

Doors manufactured from 2mm AISI 304 (AISI 316 on request) satin stainless steel with tubular stiffening frame.

Hinges are made in zinc alloy, chrome plated, open 180° (hinges manufactured from AISI 316 stainless steel on request).

Rear panels manufactured from 1.5mm AISI 304 (AISI 316 on request) satin stainless steel.

Roof manufactured from 1.5mm AISI 304 (AISI 316 on request) satin stainless steel.

Bottom manufactured from 1.5mm AISI 304 (AISI 316 on request) satin stainless steel.

DELIVERY

The assembled cabinet includes:

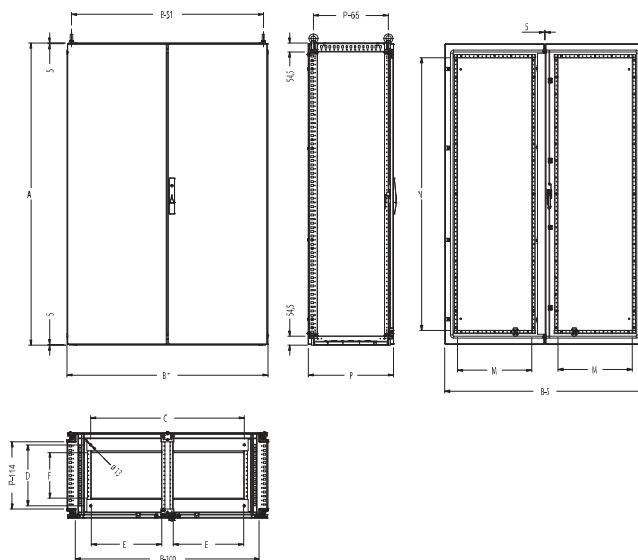
- structure
- doors complete with \varnothing 3mm double bar locking system
- rear panels
- bottom with removable cable entry

CONFORMITY AND APPROVAL



PROTECTION RATINGS

- IP55, IK 10 according to IEC EN62208
- Type 12 according to UL508A; UL50



DIMENSIONAL SPECIFICATIONS

CODE EGOX	DIMENSIONAL RANGE			CABINET DIMENSIONS			FLOOR FIXING		CABLE ENTRY		DOOR WIDTH	
	WIDTH	HEIGHT	DEPTH	B*	A	P	C	D	E	F	M	N
EGOX-121805PR	1200	1800	500	1200	1809	514	920	365	420	274	445	1630
EGOX-122006PR	1200	2000	600	1200	2009	614	920	465	420	374	445	1830

*Note: add 16mm when side panels are mounted.

STAINLESS STEEL SUITE CABINET E.GO WITH GLAZED DOOR

E.go



STAINLESS STEEL SUITE CABINET E.GO WITH GLAZED DOOR

CHARACTERISTICS

Rails are made up of a unique closed profile manufactured from 1.5mm AISI 304 stainless steel.
 The frame corners are manufactured with orthogonal joints in AISI 304 stainless steel, welded to the rails.
 Doors manufactured from 2mm AISI 304 (AISI 316 on request) satin stainless steel with tubular stiffening frame.
 Hinges are made in zinc alloy, chrome plated, open 180° (hinges manufactured from AISI 316 stainless steel on request).
 Rear panel manufactured from 1.5mm AISI 304 (AISI 316 on request) satin stainless steel.
 Roof manufactured from 1.5mm AISI 304 (AISI 316 on request) satin stainless steel.
 Bottom manufactured from 1.5mm AISI 304 (AISI 316 on request) satin stainless steel.

DELIVERY

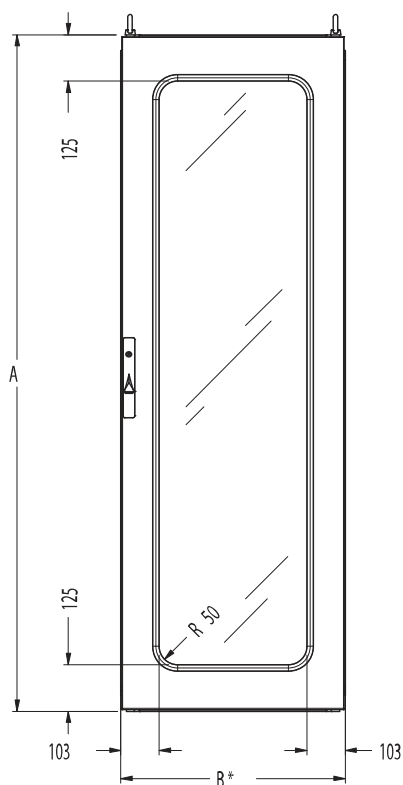
- structure
- glazed door complete with \varnothing 3mm double bar locking system (hinges in zinc alloy, chrome plated)
- rear panel
- bottom with removable cable entry

CONFORMITY AND APPROVAL



PROTECTION RATINGS

- IP55, IK 10 according to IEC EN62208
- Type 12 according to UL508A; UL50



DIMENSIONAL SPECIFICATIONS

CODE EGOX	DIMENSIONAL RANGE			CABINET DIM.	
	WIDTH	HEIGHT	DEPTH	B*	A
EGOX-061805PX	600	1800	500	600	1809
EGOX-062006PX	600	2000	600	600	2009
EGOX-081805PX	800	1800	500	800	1809
EGOX-082006PX	800	2000	600	800	2009
EGOX-101805PX	1000	1800	500	1000	1809
EGOX-102006PX	1000	2000	600	1000	2009

*Note: add 16mm when side panels are mounted.

STAINLESS STEEL SUITE CABINET E.GO ACCESSORIES

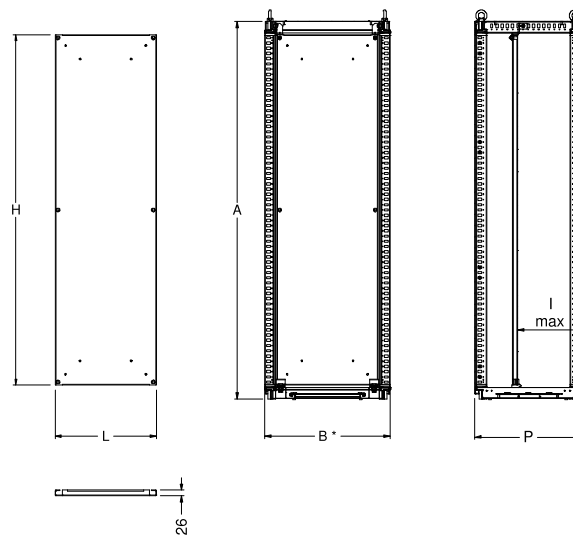
E.go

FRONT INSERTED MOUNTING PLATE ATPA

Manufactured from sendzimir sheet steel.
- thickness 2.5mm for W < 1000
- thickness 3mm for W ≥ 1000

FRONT INSERTED MOUNTING PLATE ATPA

CODE ATPA	CABINET DIM.			PLATE DIM.		
	B	A	P	L	H	I (max)
ATPA-060180	600	1809	414	485	1680	350
ATPA-060180	600	1809	514	485	1680	450
ATPA-060180	600	1809	614	485	1680	550
ATPA-060180	600	1809	814	485	1680	750
ATPA-060200	600	2009	414	485	1880	350
ATPA-060200	600	2009	514	485	1880	450
ATPA-060200	600	2009	614	485	1880	550
ATPA-060200	600	2009	814	485	1880	750
ATPA-080180	800	1809	414	685	1680	350
ATPA-080180	800	1809	514	685	1680	450
ATPA-080180	800	1809	614	685	1680	550
ATPA-080180	800	1809	814	685	1680	750
ATPA-080200	800	2009	414	685	1880	350
ATPA-080200	800	2009	514	685	1880	450
ATPA-080200	800	2009	614	685	1880	550
ATPA-080200	800	2009	814	685	1880	750
ATPA-100180	1000	1809	414	885	1680	350
ATPA-100180	1000	1809	514	885	1680	450
ATPA-100180	1000	1809	614	885	1680	550
ATPA-100180	1000	1809	814	885	1680	750
ATPA-100200	1000	2009	414	885	1880	350
ATPA-100200	1000	2009	514	885	1880	450
ATPA-100200	1000	2009	614	885	1880	550
ATPA-100200	1000	2009	814	885	1880	750
ATPA-120180	1200	1809	414	1085	1680	350
ATPA-120180	1200	1809	514	1085	1680	450
ATPA-120180	1200	1809	614	1085	1680	550
ATPA-120180	1200	1809	814	1085	1680	750
ATPA-120200	1200	2009	414	1085	1880	350
ATPA-120200	1200	2009	514	1085	1880	450
ATPA-120200	1200	2009	614	1085	1880	550
ATPA-120200	1200	2009	814	1085	1880	750



To be ordered separately
mounting accessories
WTKB-002.

*Note: add 16mm when side panels are mounted.

INNER DOOR EGPIX

Manufactured from 2mm AISI 304 stainless steel material (AISI 316 on request) and supplied complete with vertical uprights and horizontal rails.

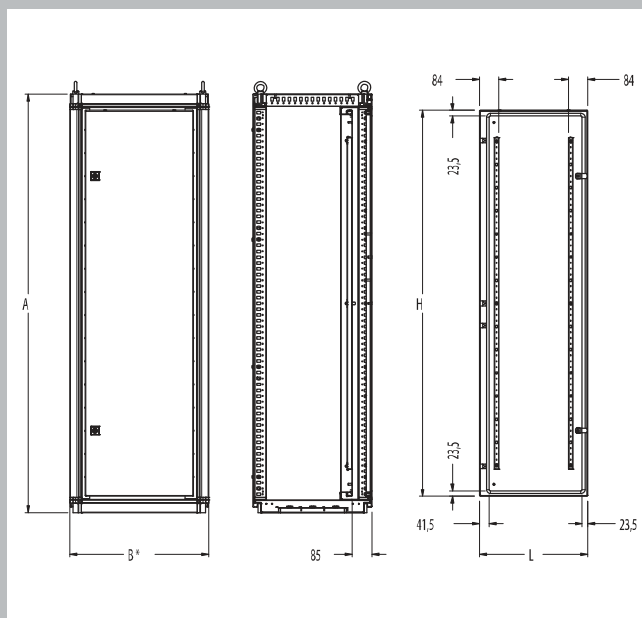
DELIVERY

Door complete with \varnothing 3mm double bar locking system

- hinges
- vertical uprights and horizontal rails
- mounting accessories

INNER DOOR EGPIX

CODE EGPIX	DIM. RANGE		CABINET DIM.		INN. DOOR DIM.	
	WIDTH	HEIGHT	B	A	L	H
EGPIX-060180	600	1800	600	1809	467	1667
EGPIX-060200	600	2000	600	2009	467	1867
EGPIX-080180	800	1800	800	1809	667	1667
EGPIX-080200	800	2000	800	2009	667	1867
EGPIX-100180	1000	1800	1000	1809	867	1667
EGPIX-100200	1000	2000	1000	2009	867	1867

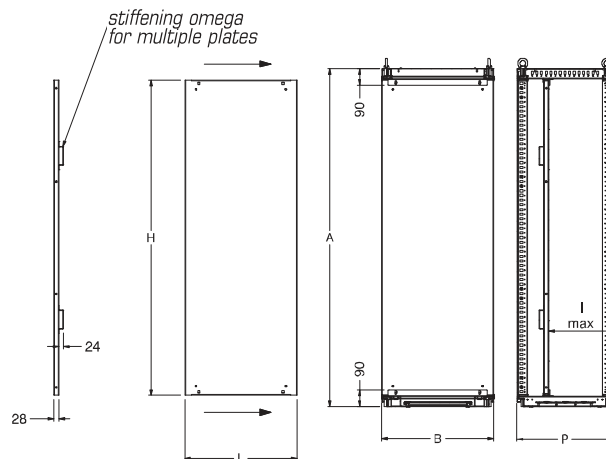


SIDE INSERTED MOUNTING PLATE ATPL

Manufactured from 2.5mm sendzimir shee steel. Supply includes mounting accessories and sliding guides.

SIDE INSERTED MOUNTING PLATE ATPL

CODE ATPL	CABINET DIM.			PLATE DIM.		
	B	A	P	L	H	I (max)
ATPL-060180	600	1809	414	600	1685	315
ATPL-060180	600	1809	514	600	1685	415
ATPL-060180	600	1809	614	600	1685	515
ATPL-060180	600	1809	814	600	1685	715
ATPL-060200	600	2009	414	600	1885	315
ATPL-060200	600	2009	514	600	1885	415
ATPL-060200	600	2009	614	600	1885	515
ATPL-060200	600	2009	814	600	1885	715
ATPL-080180	800	1809	414	800	1685	315
ATPL-080180	800	1809	514	800	1685	415
ATPL-080180	800	1809	614	800	1685	515
ATPL-080180	800	1809	814	800	1685	715
ATPL-080200	800	2009	414	800	1885	315
ATPL-080200	800	2009	514	800	1885	415
ATPL-080200	800	2009	614	800	1885	515
ATPL-080200	800	2009	814	800	1885	715
ATPL-100180	1000	1809	414	1000	1685	315
ATPL-100180	1000	1809	514	1000	1685	415
ATPL-100180	1000	1809	614	1000	1685	515
ATPL-100180	1000	1809	814	1000	1685	715
ATPL-100200	1000	2009	414	1000	1885	315
ATPL-100200	1000	2009	514	1000	1885	415
ATPL-100200	1000	2009	614	1000	1885	515
ATPL-100200	1000	2009	814	1000	1885	715
ATPL-120180	1200	1809	414	1200	1685	315
ATPL-120180	1200	1809	514	1200	1685	415
ATPL-120180	1200	1809	614	1200	1685	515
ATPL-120180	1200	1809	814	1200	1685	715
ATPL-120200	1200	2009	414	1200	1885	315
ATPL-120200	1200	2009	514	1200	1885	415
ATPL-120200	1200	2009	614	1200	1885	515
ATPL-120200	1200	2009	814	1200	1885	715



NOTE: add 16mm when side panels are mounted.

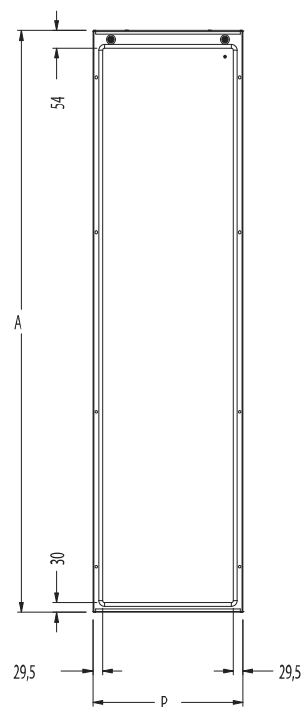
SIDE PANELS EGFX

Manufactured from 1.5mm AISI 304 stainless steel (AISI 316 on request).

DELIVERY

- two side panels
- rapid fasten couplers
- mounting accessories

SIDE PANELS EGFX				
CODE EGFX	DIM. RANGE		PANELS DIM.	
	HEIGHT	DEPTH	A	P
EGFX-050180	1800	500	1784	460
EGFX-060200	2000	600	1984	560



MODULAR PLINTH ATZX

CHARACTERISTICS

Corner pieces: manufactured from 2mm AISI 304 stainless steel (AISI 316 on request) with front covers made from stainless steel.
Side crosspieces: manufactured from 1.5mm AISI 304 stainless steel (AISI 316 on request).

DELIVERY

The modular plinth includes:

- corner pieces: 4 units with front covers and mounting screws
- front crosspieces: 2 units
- side crosspieces: 2 units



N.B.: per le caratteristiche dimensionali vedere a pag. 50 del catalogo innovations 2007.

UNIVERSAL CORNER PIECES

CODE ATZX	DESCRIPTION
ATZX-A100	CORNER PIECES FOR PLINTH H=100
ATZX-A200	CORNER PIECES FOR PLINTH H=200

Supply includes 4 pieces with mounting hardware.

FRONT AND SIDE CROSSPIECES E.GOX

CODE ATZX	DESCRIPTION	CROSSPIECE LENGTH (mm)
ATZX-T0500	ST. STEEL FRONT CROSS. PLINTH L=500	346
ATZX-T0600	ST. STEEL FRONT CROSS. PLINTH L=600	446
ATZX-T0800	ST. STEEL FRONT CROSS. PLINTH L=800	646
ATZX-T1000	ST. STEEL FRONT CROSS. PLINTH L=1000	846
ATZX-T1200	ST. STEEL FRONT CROSS. PLINTH L=1200	1046

Supply includes 2 pieces.



INNOVATIVE ENCLOSURE SOLUTIONS
FOR INDUSTRIAL & ELECTRONIC APPLICATIONS

22035 Canzo - Como (Italy)
Via Monte Barzaghino, 6
tel. ++39 031 673 611
fax ++39 031 670 525
www.eta.it
infosede@eta.it

Eta Enclosures (UK) Limited
Unit 4, Kea Park Close,
Hellaby Industrial Estate
Rotherham South Yorkshire S66 8LB
tel. ++44 (0) 1709 730111
fax ++44 (0) 1709 544088
www.eta-enclosures.co.uk
info@eta-enclosures.co.uk

Eta S.p.A. France
Rue du Pré aux Bœufs BP455
76806 Saint Etienne du Rouvray
tel. ++33 (02) 35 64 34 70
fax ++33 (02) 35 64 22 75
eta-france@wanadoo.fr