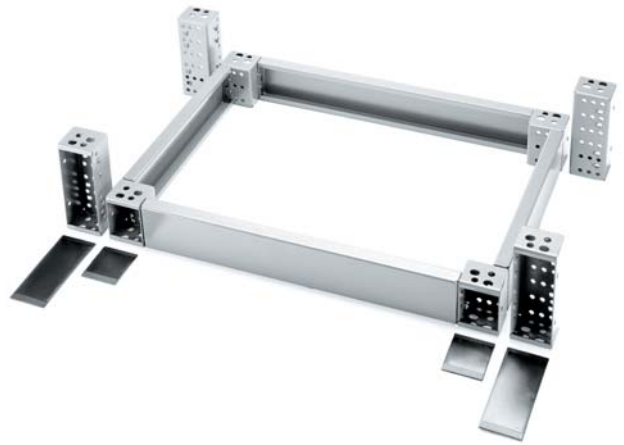
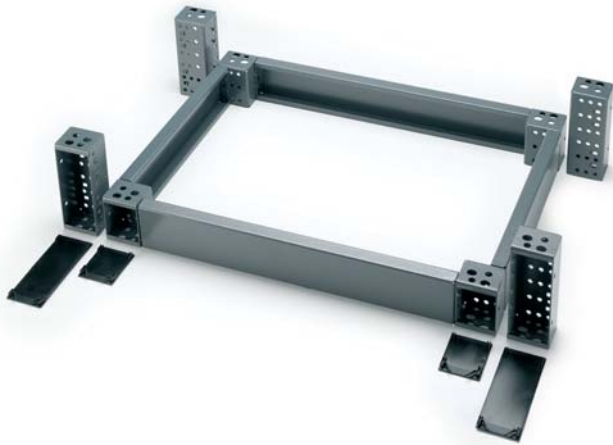


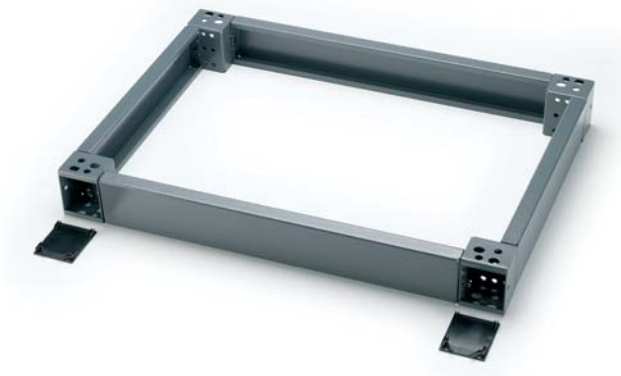
# ATZE/ATZX MODULAR PLINTH

With the new modular plinth ATZE, you will find out the benefits of modularity. The same characteristics can be guaranteed by the modular plinth ATZX, manufactured from AISI 304L stainless steel (AISI 316L on request):

- versatility: one single plinth for the cabinet series E.go and Areta, for the monobloc cabinets ATBB, the compact enclosures CS, the ST enclosures, the desk-cabinets or desks models AE, SBA and ZBA. Thanks to the corner pieces and front crosspieces, identical for all series, the final user simply has to order the side crosspieces to complete the plinth assembly
- easy assembling: plinth base is assembled to the cabinet from the outside, then simply snap the plastic corner caps into place to complete the assembly
- functionality: the side crosspiece strengthens the union between the cabinets and provides for a convenient passage of cables
- saving: with a small number of elements, multiple compositions can be made, consequently reducing materials supply and storage costs.

# ATZE/ATZX MODULAR PLINTH



Mild steel plinth



Stainless steel plinth

The new modular plinth ATZE/ATZX stands out for the high versatility of its components, independently of the metal structure you select:

- universal corner pieces: the holes in the upper and lower structure of the corner piece allows assembly on all ETA series (cabinets, desk-cabinets, control desks, enclosures), thanks to the different centreline distances. As the corner pieces are accessible through the front side, their application to the cabinet base is very easy, providing for increased user convenience
- universal front crosspieces: after mounting the corner pieces, you can install the two front crosspieces (front & rear). Also in this case, one single front panel for all product ranges simplifies the choice for the final user, with a significant reduction of materials supply and storage costs, as well as a reduction in installation time.

The plinth is then completed with:

- side crosspieces: according to the configuration to be assembled, the customer can choose to complete the plinth with the installation of two side crosspieces.

For cabinet batteries, the side crosspieces can also be rotated by 90° and be used to stabilize the plinths, connected to one another.

## MODULAR PLINTH ATZE

### CHARACTERISTICS

Corner pieces manufactured from 25/10 sheet steel, with pvc front cover caps. Front and side crosspieces: manufactured from 20/10 press bent sheet steel.

### PAINT FINISH

ETA standard epoxy polyester powder coating.  
Colour: RAL 7025 textured finish.

### DELIVERY

The modular plinth is made up of:

- corner pieces: supply includes 4 pieces complete with front covers and mounting hardware
- front crosspieces: supply includes 2 pieces
- side crosspieces: supply includes 2 pieces

## MODULAR PLINTH ATZX

### CHARACTERISTICS

Corner pieces manufactured from 20/10 AISI 304L stainless steel (AISI 316L on request) with front covers made from stainless steel. Front and side crosspieces: manufactured from 15/10 AISI 304L stainless steel (AISI 316L on request).

### DELIVERY

The modular plinth is made up of:

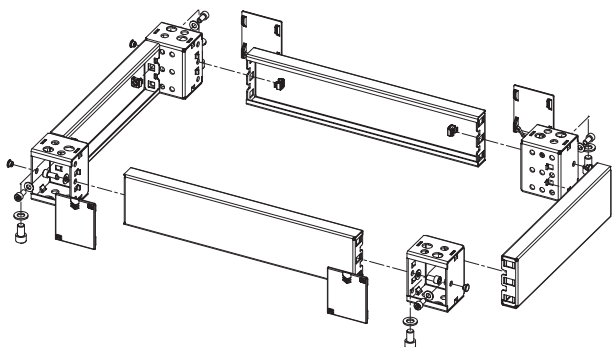
- corner pieces: supply includes 4 pieces complete with front covers and mounting hardware
- front crosspieces: supply includes 2 pieces
- side crosspieces: supply includes 2 pieces

The reduced dimension of the corners allows the easy handling of the cabinet.

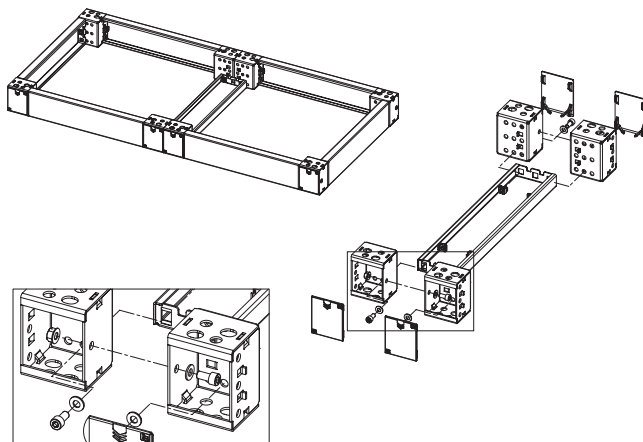
The side covers can be removed from the front and from the rear.

# MOUNTING DIAGRAM PLINTH ATZE/ATZX H=100

## PLINTH MOUNTING H=100

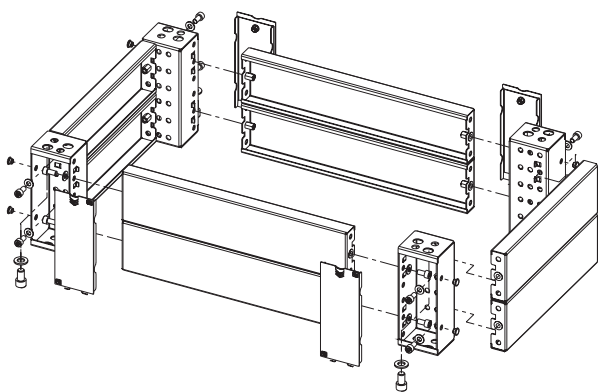


## PLINTH UNION H=100

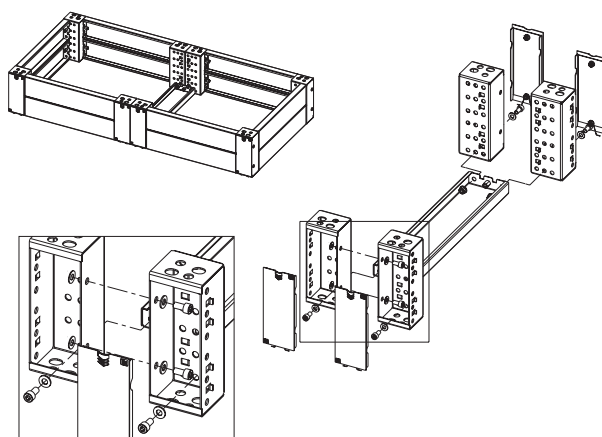


# MOUNTING DIAGRAM PLINTH ATZE/ATZX H=200

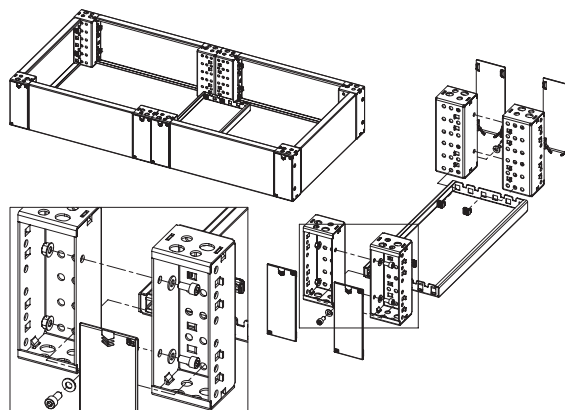
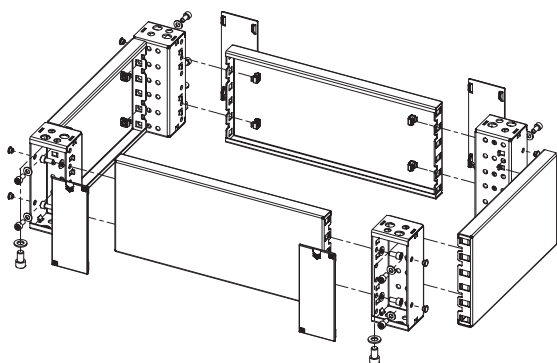
## PLINTH MOUNTING H=200



## PLINTH UNION H=200



On request front and side crosspieces H=200.



# ATZE CODES

## UNIVERSAL CORNER PIECES

ATZE CODE	DESCRIPTION
ATZE-A100	CORNER PIECES FOR PLINTH H=100
ATZE-A200	CORNER PIECES FOR PLINTH H=200

Supply includes 4 pieces with mounting hardware.

## UNIVERSAL FRONT CROSSPIECES (AND SIDE CROSSPIECES ARETA/E.GO)

ATZE CODE	DESCRIPTION	CROSS. LENGTH (mm)
ATZE-T0300	FRONT CROSS. FOR PLINTH W=300	144
ATZE-T0400	FRONT CROSS. FOR PLINTH W=400	244
ATZE-T0500	FRONT CROSS. FOR PLINTH W=500	344
ATZE-T0600	FRONT CROSS. FOR PLINTH W=600	444
ATZE-T0800	FRONT CROSS. FOR PLINTH W=800	644
ATZE-T1000	FRONT CROSS. FOR PLINTH W=1000	844
ATZE-T1200	FRONT CROSS. FOR PLINTH W=1200	1044
ATZE-T1400	FRONT CROSS. FOR PLINTH W=1400	1244
ATZE-T1600	FRONT CROSS. FOR PLINTH W=1600	1444
ATZE-T1800	FRONT CROSS. FOR PLINTH W=1800	1644

Supply includes 2 pieces.

Note: for Areta (and E.go) cabinets, the front crosspiece is used as side crosspiece, thus allowing the composition of the plinth with two product codes.

To order the front and side crosspieces H=200 add the suffix "D" to the code. I.E.: ATZE-T0400D.

## SIDE CROSSPIECES FOR OTHER RANGES

### SIDE CROSSPIECES FOR CABINET ARETA AL

ATZE CODE	DESCRIPTION	CROSS. LENGTH (mm)
ATZE-T0400T	SIDE CROSS. FOR PLINTH D=400	369
ATZE-T0500T	SIDE CROSS. FOR PLINTH D=500	469

Supply includes 2 pieces. To order the side crosspieces H=200 add the suffix "D" to the code. I.E.: ATZE-T0400TD.

### SIDE CROSSPIECES FOR MONOBLOC ATB8

ATZE CODE	DESCRIPTION	CROSS. LENGTH (mm)
ATZE-T0400B	SIDE CROSS. FOR PLINTH D=400	206
ATZE-T0500B	SIDE CROSS. FOR PLINTH D=500	306

Supply includes 2 pieces. To order the side crosspieces H=200 add the suffix "D" to the code. I.E.: ATZE-T0400BD.

### SIDE CROSSPIECES FOR CONTROL DESK SBA

ATZE CODE	DESCRIPTION	CROSS. LENGTH (mm)
ATZE-T0400B	SIDE CROSS. FOR PLINTH D=400	206

Supply includes 2 pieces. To order the side crosspieces H=200 add the suffix "D" to the code. I.E.: ATZE-T0400BD.

### SIDE CROSSPIECES FOR CONTROL DESK AE

ATZE CODE	DESCRIPTION	CROSS. LENGTH (mm)
ATZE-T0400A	SIDE CROSS. FOR PLINTH D=400	236
ATZE-T0500B	SIDE CROSS. FOR PLINTH D=500	306

Supply includes 2 pieces. To order the side crosspieces H=200 add the suffix "D" to the code. I.E.: ATZE-T0400AD.

### SIDE CROSSPIECES FOR ST BOX AND COMPACT ENCLOSURE CS

ATZE CODE	DESCRIPTION	CROSS. LENGTH (mm)
ATZE-T0300S	SIDE CROSS. FOR PLINTH D=300	136
ATZE-T0400A	SIDE CROSS. FOR PLINTH D=400	236

Supply includes 2 pieces. To order the side crosspieces H=200 add the suffix "D" to the code. I.E.: ATZE-T0300SD.

### SIDE CROSSPIECES FOR CONTROL DESK ZBA

ATZE CODE	DESCRIPTION	CROSS. LENGTH (mm)
ATZE-T0400A	SIDE CROSS. FOR PLINTH D=400	236

Supply includes 2 pieces. To order the side crosspieces H=200 add the suffix "D" to the code. I.E.: ATZE-T0400AD.

## ATZX CODES

## UNIVERSAL CORNER PIECES

ATZX CODE	DESCRIPTION
ATZX-A100	ST.STEEL CORNER PIECES PLINTH H=100
ATZX-A200	ST.STEEL CORNER PIECES PLINTH H=200

Supply includes 4 pieces with mounting hardware.

UNIVERSAL FRONT CROSSPIECES  
(AND SIDE CROSSPIECES ARETX/E.GOX)

ATZX CODE	DESCRIPTION	CROSS. LENGTH (mm)
ATZX-T0400	ST. STEEL FRONT CROSS. PLINTH W=400	244
ATZX-T0500	ST. STEEL FRONT CROSS. PLINTH W=500	344
ATZX-T0600	ST. STEEL FRONT CROSS. PLINTH W=600	444
ATZX-T0800	ST. STEEL FRONT CROSS. PLINTH W=800	644
ATZX-T1000	ST. STEEL FRONT CROSS. PLINTH W=1000	844
ATZX-T1200	ST. STEEL FRONT CROSS. PLINTH W=1200	1044
ATZX-T1600	ST. STEEL FRONT CROSS. PLINTH W=1600	1444

Supply includes 2 pieces.

Note: for Areta (and E.go) cabinets, the front crosspiece is used as side crosspiece, thus allowing the composition of the plinth with two product codes.

To order front and side crosspieces H=200 add the suffix "D" to the code. I.E.: ATZX-T0400D.

SIDE CROSSPIECES  
FOR OTHER RANGES

## SIDE CROSSPIECES FOR MONOBLOC ATB8X

ATZX CODE	DESCRIPTION	CROSS. LENGTH (mm)
ATZX-T0400B	ST. STEEL SIDE CROSS. PLINTH D=400	206
ATZX-T0500B	ST. STEEL SIDE CROSS. PLINTH D=500	306

Supply includes 2 pieces. To order the side crosspieces H=200 add the suffix "D" to the code. I.E.: ATZX-T0400BD.

SIDE CROSSPIECES FOR BOX STX  
AND COMPACT ENCLOSURE CSX

ATZX CODE	DESCRIPTION	CROSS. LENGTH (mm)
ATZX-T0300S	ST. STEEL SIDE CROSS. PLINTH D=300	136
ATZX-T0400A	ST. STEEL SIDE CROSS. PLINTH D=400	236

Supply includes 2 pieces. To order the side crosspieces H=200 add the suffix "D" to the code. I.E.: ATZX-T0300SD.

## SIDE CROSSPIECES CONTROL DESK AEX/ZBX

ATZX CODE	DESCRIPTION	CROSS. LENGTH (mm)
ATZX-T0400A	ST. STEEL SIDE CROSS. PLINTH D=400	236

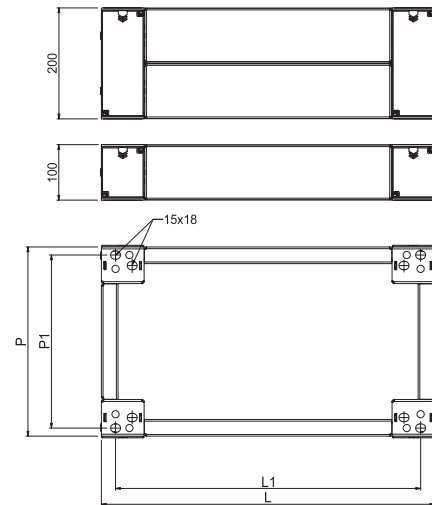
Supply includes 2 pieces. To order the side crosspieces H=200 add the suffix "D" to the code. I.E.: ATZX-T0400AD.

To order a stainless steel plinth in high grade AISI 316L add the suffix "H" to the code.  
(I.E.: plinth for Aretx 600x500 H=100  
ATZX-A100H  
ATZX-T0600H  
ATZX-T0500H)

# DIMENSIONAL SPECIFICATIONS

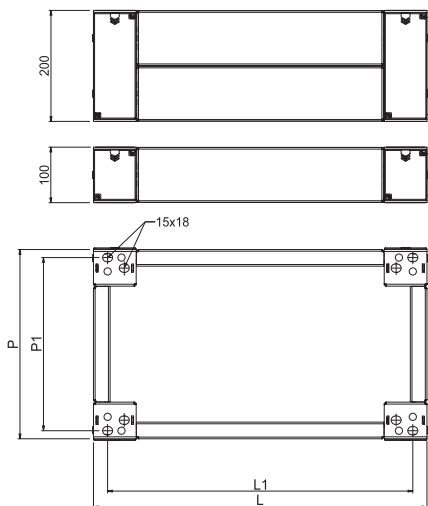
## PLINTH FOR CABINET E.GO/ARETA AND E.GOX/ARETX

CABINET DIM.		PLINTH DIM.		CENTRELINE DISTANCES	
L	P	L	P	L1	P1
300	400	300	378	249	349
300	500	300	478	249	449
300	600	300	578	249	549
300	800	300	778	249	749
400	400	400	378	349	349
400	500	400	478	349	449
400	600	400	578	349	549
400	800	400	778	349	749
600	400	600	378	549	349
600	500	600	478	549	449
600	600	600	578	549	549
600	800	600	778	549	749
600	1000	600	978	549	949
800	400	800	378	749	349
800	500	800	478	749	449
800	600	800	578	749	549
800	800	800	778	749	749
800	1000	800	978	749	949
1000	400	1000	378	949	349
1000	500	1000	478	949	449
1000	600	1000	578	949	549
1000	800	1000	778	949	749
1200	400	1200	378	1149	349
1200	500	1200	478	1149	449
1200	600	1200	578	1149	549
1200	800	1200	778	1149	749
1200	1000	1200	978	1149	949
1400	400	1400	378	1349	349
1400	500	1400	478	1349	449
1400	600	1400	578	1349	549
1400	800	1400	778	1349	749
1600	400	1600	378	1549	349
1600	500	1600	478	1549	449
1600	600	1600	578	1549	549
1600	800	1600	778	1549	749



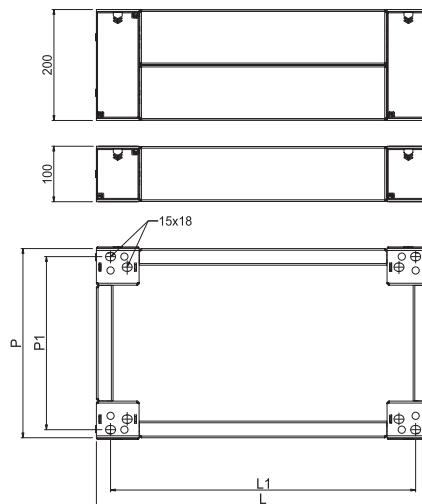
PLINTH FOR MONOBLOC ATB8 AND ATB8X

CABINET DIM.		PLINTH DIM.		CENTRELINE DISTANCES	
L	P	L	P	L1	P1
600	400	600	340	549	311
600	500	600	440	549	411
800	400	800	340	749	311
800	500	800	440	749	411
1000	400	1000	340	949	311
1000	500	1000	440	949	411
1200	400	1200	340	1149	311
1200	500	1200	440	1149	411
1400	400	1400	340	1349	311
1600	400	1600	340	1549	311
1800	400	1800	340	1749	311



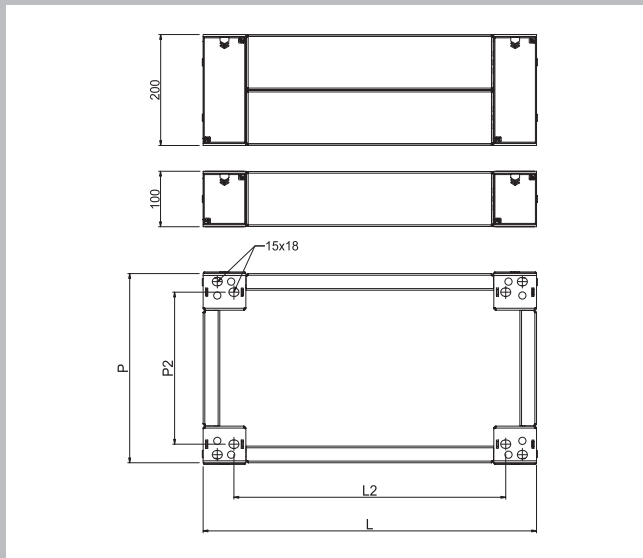
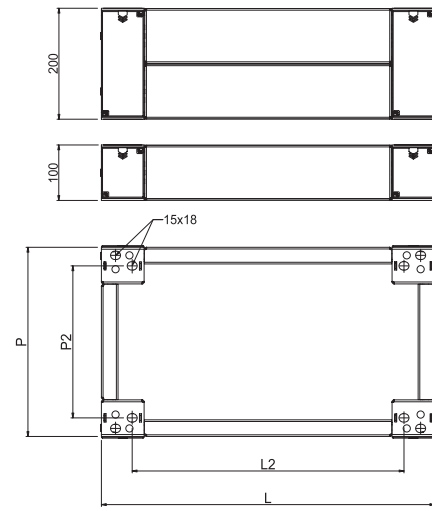
PLINTH FOR CABINET ARETA AL

CABINET DIM.		PLINTH DIM.		CENTRELINE DISTANCES	
L	P	L	P	L1	P1
600	400	600	503	549	474
600	500	600	603	549	574
800	400	800	503	749	474
800	500	800	603	749	574
1200	400	1200	503	1149	474
1200	500	1200	603	1149	574
1600	400	1600	503	1549	474
1600	500	1600	603	1549	574



### PLINTH FOR CONTROL DESK AE AND AEX

CONTROL DESK DIM.		PLINTH DIM.		CENTRELINE DISTANCES	
L	P	L	P	L2	P2
600	400	600	370	489	303
800	400	800	370	689	303
800	500	800	440	689	373
1200	400	1200	370	1089	303
1200	500	1200	440	1089	373
1600	400	1600	370	1489	303
1600	500	1600	440	1489	373

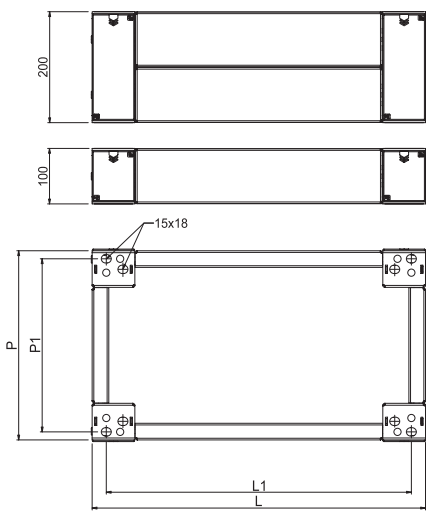
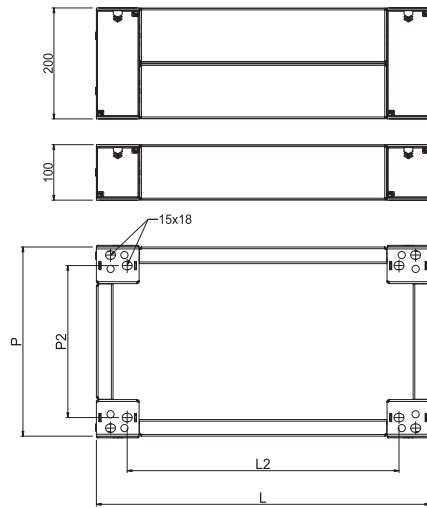


### PLINTH FOR CONTROL DESK SBA

CONTROL DESK DIM.		PLINTH DIM.		CENTRELINE DISTANCES	
L	P	L	P	L2	P2
600	400	600	340	489	273
800	400	800	340	689	273
1000	400	1000	340	889	273
1200	400	1200	340	1089	273

**PLINTH FOR CONTROL DESK ZBA AND ZBX**

DIMENSIONS		PLINTH DIM.		CENTRELINE DISTANCES	
L	P	L	P	L2	P2
600	400	600	370	489	303
800	400	800	370	689	303
1000	400	1000	370	889	303
1200	400	1200	370	1089	303



**PLINTH FOR BOX ST/STX AND COMPACT ENCLOSURE CS/CSX**

CONTROL DESK DIM.		PLINTH DIM.		CENTRELINE DISTANCES	
L	P	L	P	L1	P1
600	300	600	270	549	241
600	400	600	370	549	341
800	300	800	270	749	241
800	400	800	370	749	341
1000	300	1000	270	949	241
1200	300	1200	270	1149	241

Note: to fasten the plinth under the ST enclosure remember to drill holes into the bottom of the enclosure.