



In addition to the standard trunking, SES-STERLING now offers a range of miscellaneous retaining products and can, upon request, submit a quotation for special lengths in PVC.

page

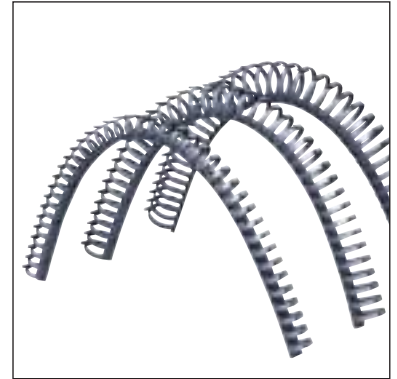
• C6/1

### **PLIOFLEX flexible trunking**

PLIOFLEX is a flexible cable routing system for use in control panels, distribution boards. Thanks to its special form and flexibility it can be used for many other applications.

The programme presents 2 models of PLIOFLEX trunking:

- rectangular type FXD
- round type GMF



• C6/2

### **PLIO-XE cable clips for cable routing**

PLIO-XE cable clips are available in Polyamide or in Polypropylene and can be used in addition to or instead of cable trunking.



• C6/3

### **PLIOLINE protection channel**

for underground cables and utility poles...

Available in various colours, the PLIOFINE protection channel in rigid PVC is attached to wooden or concrete poles.



• C6/4

### **Profiles for switch boards**

#### **Special profiles**



### GMF - FXD

**Material:** Polypropylene modified choc, quality flame resistant

**Temperature range:** -40 to +70°C

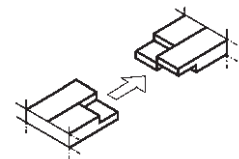
**Specification:** UL94-V2

**Length :** 50 cm

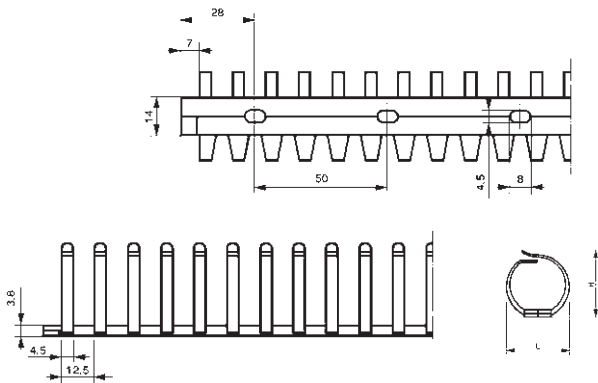
**Application:** PLIOFLEX is a flexible cable trunking system for use in control panels, distribution boards, or in difficult to reach areas.



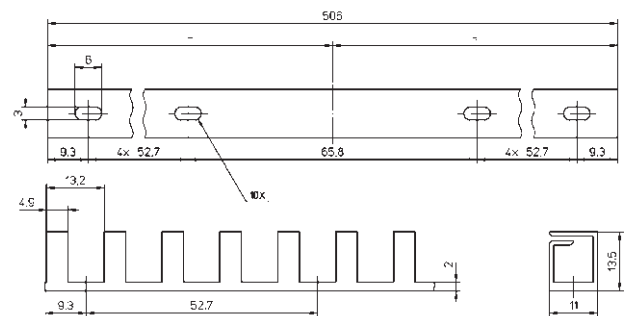
type	art. no.	boxes pce	type	art. no.	packs pce	H mm	L mm
<b>without adhesive tape</b>							
<b>FXD-10</b>	0588 0010 001	100				13,5	11
<b>GMF-20</b>	0847 0020 013	60	<b>GMF-20 SB</b>	0847 0025 013	2	24	23
<b>GMF-30</b>	0847 0030 013	36	<b>GMF-30 SB</b>	0847 0035 013	2	35	33
<b>GMF-40</b>	0847 0040 013	24				46	44
<b>with adhesive tape</b>							
<b>GMF-20T</b>	0847 0120 013	60	<b>GMF-20T SB</b>	0847 0125 013	2	24	23
<b>GMF-30T</b>	0847 0130 013	36	<b>GMF-30T SB</b>	0847 0135 013	2	35	33
<b>GMF-40T</b>	0847 0140 013	24				46	44



Two or several lengths can be joined by snapping the ends together.

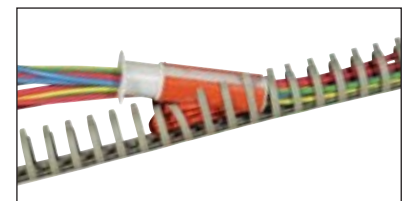


Round form: GMF



Square form: FXD

- Application:**
- Attach the cable trunking - webs turned upwards, connect one cable end and laterally insert the cable up to the requested branch point, connect the opposite cable end.
  - We recommend the Pliozip tool (see page A5/4-01) for the inserting of cables.
  - We also recommend SES-marker rings for the identification of your cables.



- Attachment:**
- with screws, using the DIN standard base punching.  
Recommended screws:  
GMF - M4 with cheese head DIN 84 A and washer or M4 with cheese head DIN 85 A and washer;  
FXD - M3 with cheese head DIN 85 A and washer or M3 with cheese head DIN 85 A and washer.
  - by the adhesive on the T type using a smooth, dry, clean and degreased surface (do not touch the adhesive). The assembly temperature must be above 10°C.

# PLIO® cable clips for cable routing



SES-XE



## XE

<b>Material:</b>	Polyamide 6	Polypropylene
<b>Colour:</b>	Natural	Black
<b>Temperature range:</b>	-20 to +85°C	-20 to +65°C
<b>Density:</b>	1,13	0,90
<b>Volume resistivity:</b>	10 <sup>13</sup> Ω.cm	10 <sup>16</sup> Ω.cm
<b>Dielectric strength:</b>	> 20 kV/mm	> 20 kV/mm
<b>Minimum quantity:</b>	1 complete pack	

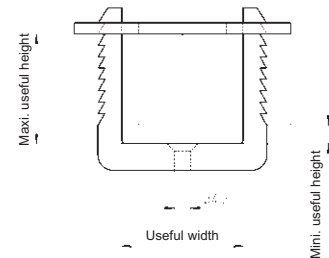


XE cable clips can be used in addition to or instead of cable trunking and are usually recommended when there are many cable entries or difficult access.

XE clips allow clear access and achieve open installation.

Unlike cable ties, XE clips permit adjustment or modification of cabling at any time, they are ideal for prototype installations.

It is an ideal article for the manufacturers of machines or the experimental installations.



type	art. no.	pce	used width mm	used height		clamping capacity maxi. mm <sup>2</sup>
				mini. mm	maxi. mm	
<b>XE cable clip with attach in natural polyamide</b>						
<b>XE 13</b>	0136 0001 018	100	13	2	11	140
<b>XE 18</b>	0136 0002 018	100	18	2	14	250
<b>XE 23</b>	0136 0003 018	100	22	2	23	500
<b>XE 33</b>	0136 0004 018	100	32	5	29	920

### XE cable clip with attach in black polypropylene

<b>XE 13 PP</b>	0136 0021 010	100	13	2	11	140
<b>XE 18 PP</b>	0136 0022 010	100	18	2	14	250
<b>XE 23 PP</b>	0136 0023 010	100	22	2	23	500
<b>XE 33 PP</b>	0136 0024 010	100	32	5	29	920



# PLIOLINE protection channel for underground cables and utility poles



PLIOLINE

## PLIOLINE GV

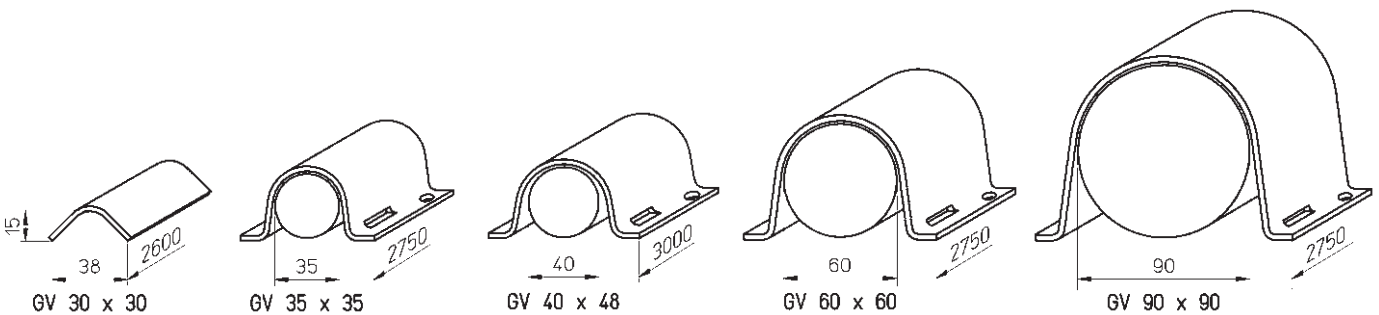
**Material:** Rigid PVC modified choc, quality 9057  
**Temperature range:** -20 to +60°C  
**Density:** 1,45  
**Volume resistivity:** 10<sup>14</sup> Ω.cm  
**Dielectric strength:** 15kV/mm  
**Specifications:** UL94-V0  
 Colour grey according to norm NF X 08-002/A625 and near RAL 7001



Example for order:

code group	detail article	code colour
08060	XXXX	XXXX

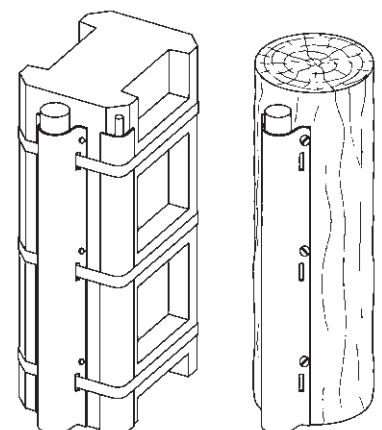
type	art. no.	rown	grey	i ory	length mm	capacity ca le maxi. mm	H mm	L mm	use
GV 30 x 30	0806 0041	x	x	x	2600		15	42	earth ca le
GV 35 x 35	0806 0043	x	x	x	2500	35	38	68	protection or underground connections
GV 40 x 48	0806 0042		x		3000	40	41	98	
GV 60 x 60	0806 0044	x	x	x	2500	60	63	98	
GV 90 x 90	0806 0045	x	x	x	2500	90	93	131	68.80.544



PLIOLINE channel for the protection of underground to surface cables (earth, BT, MT) is attached to concrete or wooden poles with stainless steel strips or screws. PLIOLINE channel is manufactured in rigid PVC to technical specification EDF HN 60 S 02.

PLIOLINE channel is slotted and drilled ready to fix. Only the section for earth cables is plain (no bores, no slots) and should be attached with strip GV 30 x 30.

A detailed layout can be delivered upon request.  
**Other lengths with other punching terminals or special colours from 500 lengths plus price upon request.**

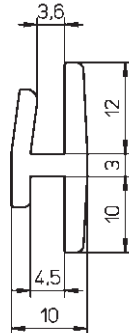


## AP 4

<b>Material:</b>	Rigid PVC modified choc, quality 9057
<b>Temperature range:</b>	-20 to +60°C
<b>Colour:</b>	Grey
<b>Pack:</b>	Length of 1 m
<b>Specification:</b>	UL94-V0
<b>Application:</b>	Profile used for switch boards and panels, specially adapted for assembling two protection screens.



type	art. no.	 m
AP 4	0843 0010 049	10

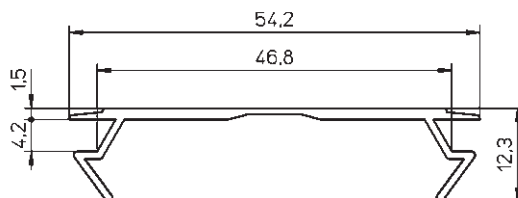


## AA 45

<b>Material:</b>	Rigid PVC modified choc, quality 9057
<b>Temperature range:</b>	-20 to +60°C
<b>Colour:</b>	Grey
<b>Pack:</b>	Length of 1 m
<b>Specification:</b>	UL94-V0
<b>Application:</b>	Cover profile for switch boards and electrical panels.



type	art. no.	 m
AA 45	0843 0020 049	10



SES\_Fixation\_Miscellaneous\_Retaining\_Products\_en\_0911.pdf

**KLINKMANN**

www.klinkmann.com

**Helsinki**  
tel. +358 9 540 4940  
automation@klinkmann.fi

**Yekaterinburg**  
tel. +7 343 376 5393  
yekaterinburg@klinkmann.spb.ru

**Vilnius**  
tel. +370 5 215 1646  
post@klinkmann.lt

**St. Petersburg**  
tel. +7 812 327 3752  
klinkmann@klinkmann.spb.ru

**Samara**  
tel. +7 846 273 95 85  
samara@klinkmann.spb.ru

**Tallinn**  
tel. +372 668 4500  
klinkmann.est@klinkmann.ee

**Moscow**  
tel. +7 495 641 1616  
moscow@klinkmann.spb.ru

**Kiev**  
tel. +38 044 495 33 40  
klinkmann@klinkmann.kiev.ua

**Riga**  
tel. +371 6738 1617  
klinkmann@klinkmann.lv

**Minsk**  
tel. +375 17 200 0876  
minsk@klinkmann.com